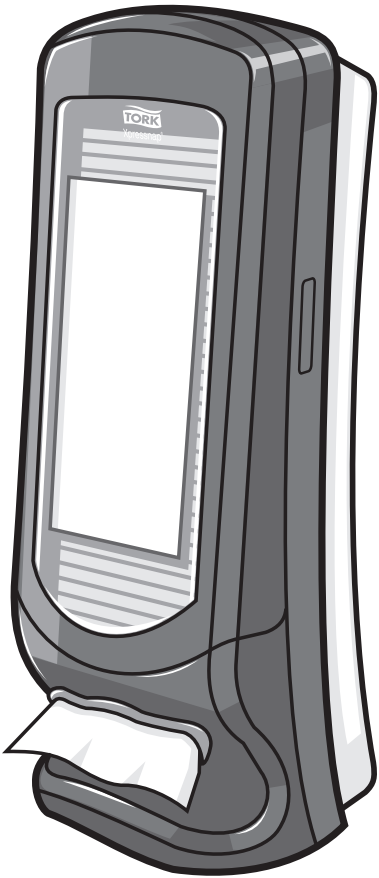


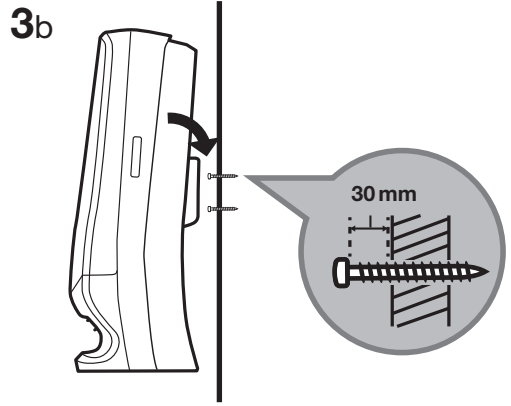
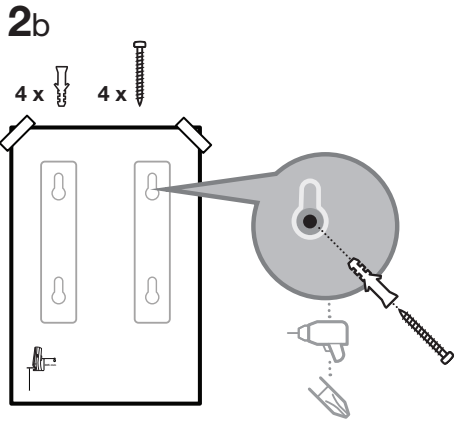
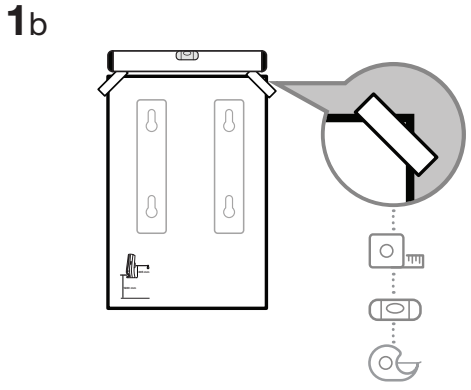
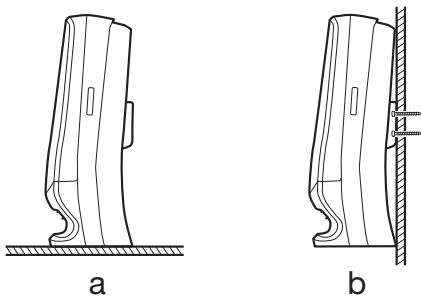
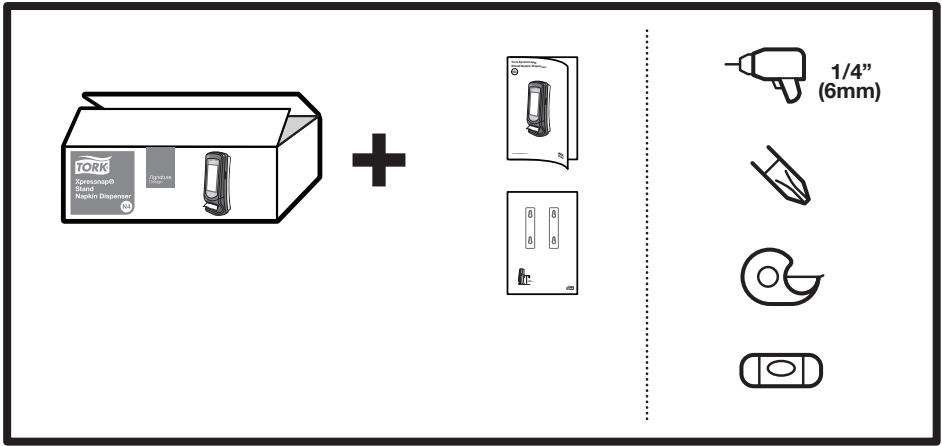
Tork Xpressnap® Stand Napkin Dispenser

N4

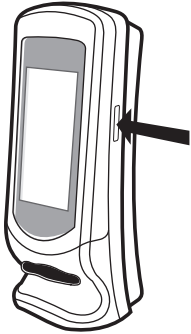
signature
Design



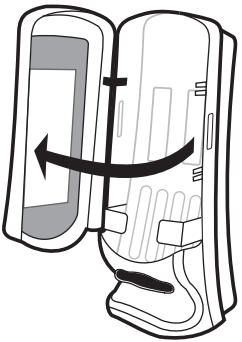
Tork Xpressnap® Stand Napkin Dispenser



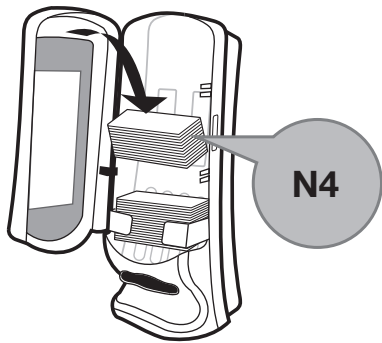
1



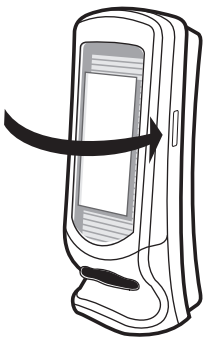
2



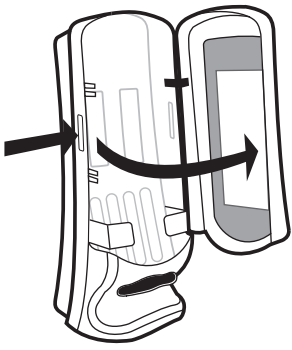
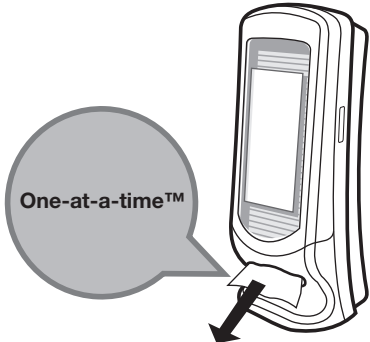
3



4



5



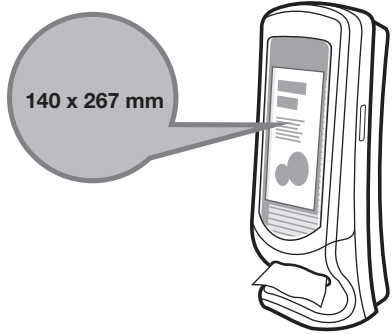
Door can be hinged to open from either side.

1

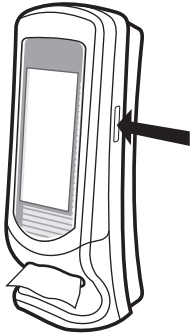
AD-a-Glance™

TEMPLATES

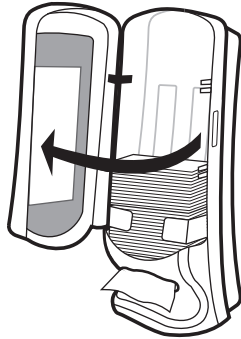
adaglance.torkglobal.com



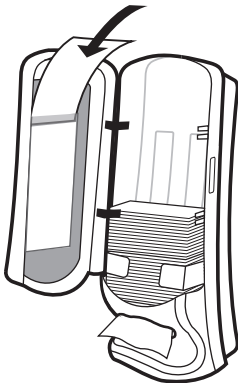
2



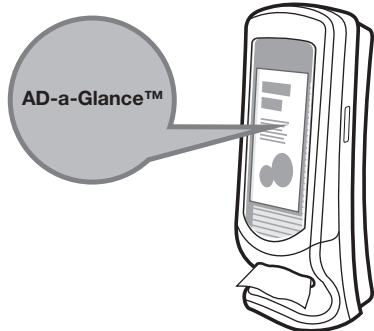
3



4



5



Cleaning instructions

- Use mild cleaners. Wipe with cloth using soap and water.
Do not use abrasives. Dispenser is not dishwasher safe.



Manufactured by Essity Hygiene and Health AB
SE-40503 Göteborg, Sweden
Visiting address: Mölndals Bro 2, Mölndal
www.essity.com, www.torkglobal.com
Made in United States
Patents/Brevets/Patentes: www.essity.com/patents