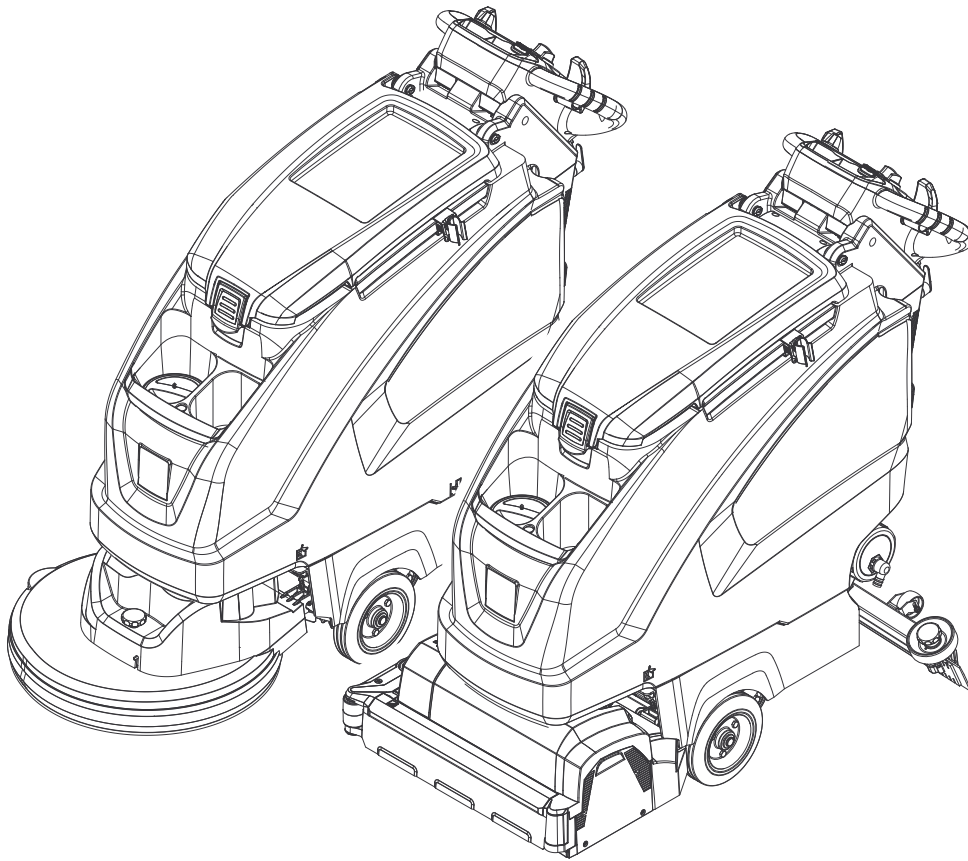


# KÄRCHER

makes a difference

**B 40 C Bp**  
**B 40 W Bp**

English	3
Français	16
Español	29



**Register and win!**  
[www.kärcher.com/register-and-win](http://www.kärcher.com/register-and-win)



59643890 03/19



**NOTICE:**

This device complies with Part 15 of the FCC Rules and Industry Canada licence-exempt RSS standard(s)

Operation is subject to the following two conditions:

- (1) this device may not cause harmful interference, and
- (2) this device must accept any interference received, including interference that may cause undesired operation.

**NOTICE:**

Changes or modifications made to this equipment not expressly approved by Kärcher may void the FCC authorization to operate this equipment

**NOTE:** This equipment has been tested and found to comply with the limits for a Class B digital device, pursuant to Part 15 of the FCC Rules. These limits are designed to provide reasonable protection against harmful interference in a residential installation. This equipment generates, uses and can radiate radio frequency energy and, if not installed and used in accordance with the instructions, may cause harmful interference to radio communications. However, there is no guarantee that interference will not occur in a particular installation. If this equipment does cause harmful interference to radio or television reception, which can be determined by turning the equipment off and on, the user is encouraged to try to correct the interference by one or more of the following measures

- Reorient or relocate the receiving antenna.
- Increase the separation between the equipment and receiver.
- Connect the equipment into an outlet on a circuit different from that to which the receiver is connected.
- Consult the dealer or an experienced radio/TV technician for help.

**Contents**

IMPORTANT SAFETY INSTRUCTIONS . . . . . US . . . 1

OPERATING SAFETY RULES AND PRACTICES . . . . . US . . . 2

MAINTENANCE AND RE-BUILD PRACTICES . . . . . US . . . 2

FIRE SAFETY STANDARD . . . . . US . . . 2

General notes . . . . . US . . . 2

Function . . . . . US . . . 3

Proper use . . . . . US . . . 3

Operating and Functional Elements . . . . . US . . . 4

Before Startup . . . . . US . . . 5

Operation . . . . . US . . . 6

Shutting Down the Appliance . . . . . US . . . 7

Grey Intelligent Key . . . . . US . . . 7

Transport . . . . . US . . . 8

Storage . . . . . US . . . 8

Maintenance and care . . . . . US . . . 8

Frost protection . . . . . US . . 10

Faults . . . . . US . . 11

Accessory B 40 . . . . . US . . 12

Technical specifications . . . . . US . . 13

Spare parts . . . . . US . . 13

**IMPORTANT SAFETY INSTRUCTIONS**

**READ ALL INSTRUCTIONS BEFORE USING THIS APPLIANCE**

**⚠ WARNING**

To reduce the risk of fire, electric shock, or injury:

- DO NOT LEAVE appliance unattended when plugged in. Unplug from outlet when not in use and before servicing.

**⚠ WARNING**

TO REDUCE THE RISK OF ELECTRIC SHOCK-USE INDOORS ONLY

- DO NOT ALLOW to be used as a toy. Close attention is necessary when used by or near children.
- USE ONLY as described in this manual. Use only manufacturer's recommended attachments.
- Do not use with damaged cord or plug. If the unit is not working as it should, has been dropped, damaged, left outdoors, or dropped into water, return it to a service center.
- DO NOT pull or carry by the cord, do not use cord as a handle, do not close a door on the cord, or pull cord around sharp edges or corners. DO NOT run appliance over cord. Keep cord away from heated surfaces.
- Do not unplug by pulling on cord. To unplug, grasp the plug, not the cord.
- Do not handle plug or appliance with wet hands.
- Do not put any object into openings. Do not use with any openings blocked; keep free of dust, lint, hair and anything that may reduce air flow.

- Keep hair, loose clothing, fingers and all parts of body away from openings and moving parts.
- Turn off all controls before unplugging.
- USE EXTRA CARE when cleaning on stairs.
- DO NOT USE to pick up flammable or combustible liquids, such as gasoline, or use in areas where they may be present.
- Connect to a properly grounded outlet only. See Grounding Instructions.

**GROUNDING INSTRUCTIONS**

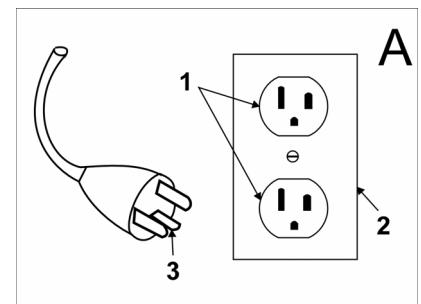
This product must be grounded. If it should malfunction or breakdown, grounding provides a path of least resistance for electric current to reduce the risk of electric shock. This product is equipped with a cord having an equipment-grounding conductor and a grounding plug. The plug must be plugged into an appropriate outlet that is properly installed and grounded in accordance with all local codes and ordinances.

**⚠ DANGER**

Improper connection of the equipment-grounding conductor can result in a risk of electrocution. Check with a qualified electrician or service personnel if you are in doubt as to whether the outlet is properly grounded. Do not modify the plug provided with the product - if it will not fit the outlet, have a proper outlet installed by a qualified electrician. Do not use any type of adapter with this product.

This appliance is for use on a nominal 120-volt circuit and has a grounding attachment plug that looks like the plug illustrated in figure A. Make sure that the appliance is connected to an outlet having the same configuration as the plug. No adaptor should be used with this appliance.

**CONNECT TO A PROPERLY GROUNDED OUTLET ONLY**



- 1 Grounded outlet
- 2 Grounded outlet box
- 3 Grounded pin

## OPERATING SAFETY RULES AND PRACTICES

### Owner/User Responsibility

The owner and/or user must have an understanding of the manufacturer's operating instructions and warnings before using this pressure washer.

Warning information should be emphasized and understood.

If the operator is not fluent in English, the manufacturer's instructions and warnings shall be read to and discussed with the operator in the operator's native language by the purchaser/owner, making sure that the operator comprehends its contents.

Owner and/or user must study and maintain for future reference the manufacturers' instructions.

### General

Before starting to operate the unit be in operating position.

Do not start or operate the unit, any of its functions or attachments, from any place other than from the designated operators position.

Before leaving the operator's position:

- A bring the unit to a complete stop;
- B if the unit must be on an incline, block the wheels.

Maintain a safe distance from the edge of ramps, platforms, and other similar working surfaces.

Do not add to, or modify the unit.

Do not block access to fire aisles, stairways or fire equipment.

### Traveling

Yield the right of way to pedestrians and emergency vehicles such as ambulances and fire trucks.

Cross railroad tracks at an angle wherever possible. Do not park closer than 6 ft (1800 mm) to the nearest rail of a railroad track. Keep a clear view of the path of travel and observe for other traffic, personnel, and safe clearances.

Under all travel conditions, operate the unit at a speed that will permit it to be brought to a stop in a safe manner.

Do not indulge in stunt driving or horseplay. Slow down for wet and slippery floors.

Before driving over a dock board or bridge plate, be sure that it is properly secured.

Drive carefully and slowly across the dock board or bridge plate, and never exceed its rated capacity.

When negotiating turns, reduce speed to a safe level consistent with the operating environment. Make the turns smoothly.

### Operator care of the unit

If the unit is found to be in need of repair or in any way unsafe, or contributes to an unsafe condition, the matter shall be reported immediately to the user's designated authority, and the unit shall not be operated until it has been restored to safe operating condition.

If during operation the unit becomes unsafe in any way, the matter shall be reported immediately to the user's designated authority, and the unit shall not be operated until it has been restored to safe operating condition.

Do not make repairs or adjustments unless specifically authorized to do so.

## MAINTENANCE AND RE-BUILD PRACTICES

Operation of the unit may be hazardous if maintenance is neglected or repairs, re-builds, or adjustments are not performed in accordance with the manufacturer's design criteria. Therefore, maintenance facilities (on or off premises), trained personnel, and detailed procedures shall be provided.

Maintenance and inspection of the unit shall be performed in conformance with the following practices:

- A a schedules planned maintenance, lubrication, and inspection system shall be followed; consult the manufacturer's recommendations.
- B Only trained and authorized persons shall be permitted to operate a powered floor scrubber. Operators of powered floor scrubbers shall be qualified as to visual, auditory, physical, and mental ability to operate the equipment safely.

Avoid fire hazards and have fire protection equipment present in the work area. Do not use open pans of fuel or flammable cleaning fluids for cleaning parts.

## FIRE SAFETY STANDARD

Any unit not in safe operating condition shall be removed from service.

Repairs shall not be made in Class I, Class II, and Class III locations.

**Fire Prevention.** The unit shall be kept in a clean condition and reasonably free of lint, excess oil, and grease. Noncombustible agents are preferred for cleaning the unit. Flammable liquids [those having flash points at or above 100°F (37,8°C)] are not allowed. Precautions regarding toxicity, ventilation, and fire hazard shall be appropriate for the agent or solvent used.

**Nameplate Visibility.** The unit type designations as shown on the nameplate and the type markers shall not be covered over with paint so that their identification information is obscured.

## General notes



Please read and comply with these original instructions prior to the initial operation of your appliance and store them for later use or subsequent owners.

Before using the appliance for the first time, read and observe these operating instructions and the accompanying brochure:

Safety information for brush cleaning units and spray-extraction units, No. 5.956-251. The appliance must only be operated on surfaces that do not exceed the max. permitted incline (see "Technical Specifications").

**The appliance may only be operated when the hood and all lids are closed. Remove the Intelligent Key (emergency stop) to take all functions out of operation immediately.**

*The appliance must only be operated on surfaces that do not exceed the max. permitted incline (see "Technical Specifications").*

### ⚠ WARNING

*Do not use the appliance on inclines.*

### Safety Devices

Safety devices serve to protect the user and must not be rendered inoperational or their functions bypassed.

#### Safety switch (B 40 C Bp)

If the safety switch is released, the brush drive shuts off.

#### Drive lever (B 40 W Bp)

If the drive lever is released, the travel drive and the brush drive shuts off.

### Symbols in the operating instructions

#### ⚠ DANGER

*Immediate danger that can cause severe injury or even death.*

#### ⚠ WARNING

*Possible hazardous situation that could lead to severe injury or even death.*

#### CAUTION

*Possible hazardous situation that could lead to mild injury to persons or damage to property.*

### Environmental protection



The packaging materials are recyclable. Please do not throw packaging in the domestic waste but pass it on for recycling.



Old units contain valuable recyclable materials. Batteries, oil and similar substances may not be released into the environment. Therefore please dispose of old units through suitable collection systems.

## Warranty

The warranty terms published by our competent sales company are applicable in each country. We will repair potential failures of your accessory within the warranty period free of charge, provided that such failure is caused by faulty material or defects in fabrication. In the event of a warranty claim please contact your dealer or the nearest authorized Customer Service center. Please submit the proof of purchase.

## Function

The scrubber vacuum is used for wet cleaning or polishing of level floors.

- The device can be easily adjusted to the respective cleaning task by adjusting the water volume and the detergent volume.
- The appliance is equipped with a fresh water and a wastewater reservoir (10.6 gallons / 40 litres each). These allows an effective cleaning with a long usage life.
- Depending on the selected cleaning head, the working width of the B 40 is between 17.7 inch (430 mm) and 21.6 inch (550 mm).
- **B 40 C Bp**  
This appliance model is not equipped with a travel drive. The advance drive is operated by and is supported by the rotation of the brushes. The brush drive is powered by two batteries.
- **B 40 W Bp**  
This appliance model is equipped with a travel drive. The travel speed can be adjusted with a rotary knob.
- A charger is already integrated in all models. Batteries can be selected according to the configuration (see Chapter "Recommended batteries")

### Note

*The appliance can be equipped with various accessories depending on the cleaning task.*

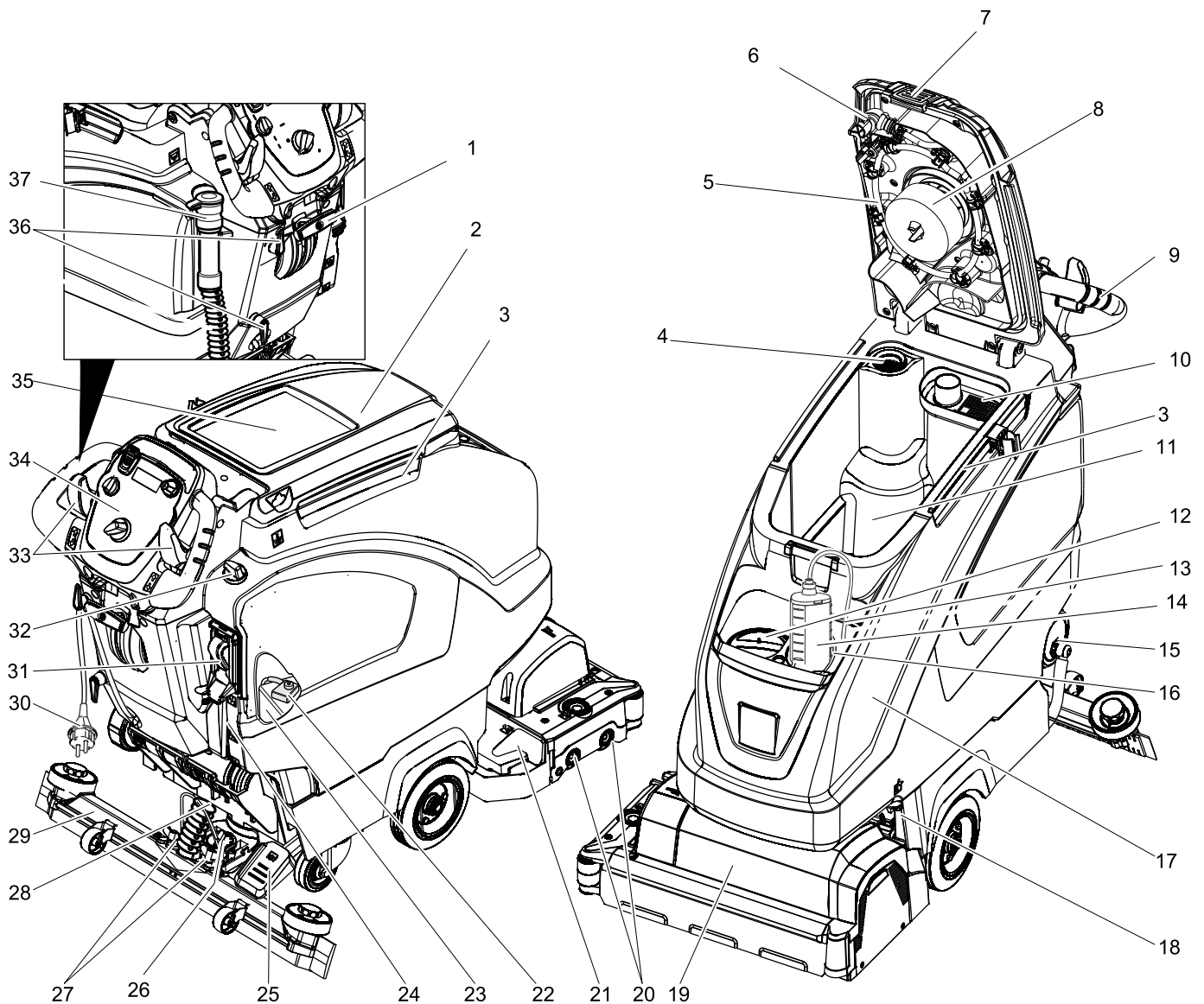
*Please request our catalogue or visit us on the Internet at [www.kaercher.com](http://www.kaercher.com).*

## Proper use

Use this appliance only as directed in these operating instructions.

- The appliance may only be used for the cleaning of hard surfaces that are not sensitive to moisture and polishing operations.
- The appliance is not suited for the cleaning of frozen grounds (e.g. in cold stores).
- The appliance may only be equipped with original accessories and spare parts.
- The appliance is not suited for the use in potentially explosive environments.
- The machine should not be used to suck in flammable gases, undiluted acids or solvents.  
This includes petrol, thinning agents or hot oil that can form an explosive mixture when it comes in contact with sucked air. Do not use acetone, undiluted acids and solvents as they are aggressive towards the materials from which the appliance is made.
- The machine has been approved for use on surfaces with max. gradients as listed under "Technical Specifications".





**Illustration of scrubbing vacuum**

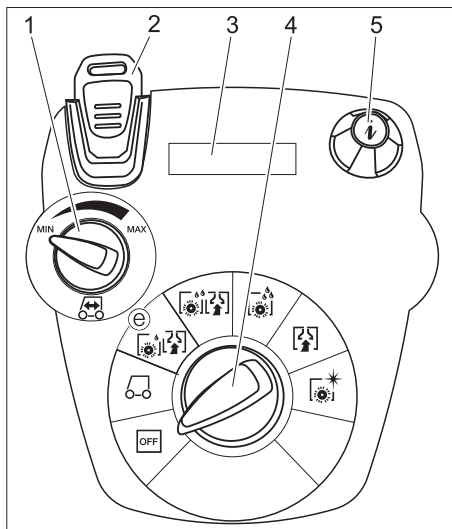
- |   |   |
|---|---|
| 1 Squeegee tool lowering lever                        | 21 Waste container (only BR)                            |
| 2 Cover dirt water reservoir                          | 22 Battery pole fuse                                    |
| 3 Holding rail for home base                          | 23 Battery (only package model)                         |
| 4 Fluff filter  | 24 Fresh water level display                            |
| 5 Wastewater reservoir rinsing system (option)        | 25 Pedal for raising/ lowering the cleaning head        |
| 6 Flexible lock of rinsing system (option)            | 26 Rotary handle to incline the vacuum bar              |
| 7 Lock of wastewater reservoir                        | 27 Wing nuts for fastening the squeegee tool            |
| 8 Shut off float                                      | 28 Suction hose   |
| 9 Push handle   | 29 Squeegee tool *                                      |
| 10 Coarse dirt sieve                                  | 30 Connecting cable for charger (only Pack model)       |
| 11 Dirt water reservoir                               | 31 Automatic fill of fresh water reservoir (option)     |
| 12 Fresh water reservoir filler neck                  | 32 Water quantity regulator                             |
| 13 Suction hose for detergent (only DOSE model)       | 33 Drive lever (B 40 W Bp)<br>Safety switch (B 40 C Bp) |
| 14 Detergent bottle (only DOSE model)                 | 34 Operator console                                     |
| 15 Lock of the fresh water reservoir with filter      | 35 Storage surface for cleaning set "Home base box"     |
| 16 Detergent bottle holder                            | 36 Cable hook   |
| 17 Solution tank                                      | 37 Drain hose for wastewater with dosing unit           |
| 18 Locking the tank                                   |   |
| 19 Cleaning head (illustration is symbolic) *         |   |
| 20 Brush rollers (BR model) Disk brushes (BD model) * |   |

\* not included in the delivery

**Color coding**

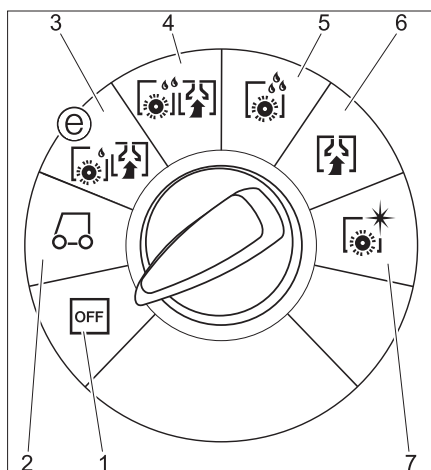
- The operating elements for the cleaning process are yellow.
- The controls for the maintenance and service are light gray.

## Operator console



- 1 Rotating button for drive speed (B 40 W only)
- 2 Intelligent Key  
yellow - operator  
grey - supervisor
- 3 Display
- 4 Program selection switch
- 5 Info button

## Program selection switch



- 1 **OFF**  
Device is switched off
- 2 **Transport mode**  
(B 40 W only)  
Driving to the Place of Use.
- 3 **Eco mode**  
Wet clean the floor (with reduced brush speed) and vacuum up wastewater (with reduced suction).
- 4 **Normal mode**  
Wet clean the floor and vacuum up dirty water.
- 5 **Intense mode**  
Wet clean the floor and allow the detergent to react.
- 6 **Vacuum mode**  
Suck in the dirty fleet.
- 7 **Polishing mode**  
Polishing the floor without the application of liquid.

## Before Startup

### Installing the Brushes

#### BD model

The disc brush must be installed before the initial operation (see "Maintenance work").

#### BR model

The brushes are mounted.

### Install batteries

Install the batteries (see "Care and Maintenance/Install and connect batteries").

#### Setting the charging marker line

Prior to the initial startup, following a service reset or when switching to another battery type, you must adjust the charging marker line.

- Use the Grey Intelligent Key.
- Setting the charging marker line (see Chapter "Grey Intelligent Key/Setting the charging marker line".

#### Using batteries made by other manufacturers

We recommend using our batteries as described in chapter "Care and Maintenance/Recommended batteries".

#### Note

While using other batteries (for e.g. batteries from other manufacturers) the total discharge protection level must be reset by the Kärcher after sales service according to the respective battery.

### Charging battery

#### Note

The appliance is equipped with a safety mechanism to prevent total discharge, i.e. when the permissible minimum capacity is reached, the brush motor and the turbine are switched off.

- Drive the machine directly to the charging station; avoid any steep gradients in the process.

#### **⚠ DANGER**

Risk of injury on account of electric shock. The mains voltage must correspond with the type plate on the appliance. Use the charger only in dry rooms with sufficient ventilation!

#### Charging process

Average charging time is approx. 10 -15 hours.

The built-in charger has electronic controls and is suitable for all recommended batteries; it automatically switches off the charging process.

The built-in battery is shown on the display during the charging process. If this is not the case, the charging marker line must be selected (see "Setting the charging marker line"). The appliance must not be used during the charging process.

#### Initial charge tips

With the initial charge, the control will not yet be able to detect which battery type has been installed. Keep charging the batteries until the display shows a full charge

#### **⚠ DANGER**

Risk of explosion!

Prior to **Charging low-maintenance batteries**, the tank must be swivelled upwards (see chapter "Installing and connecting batteries"). This will prevent the generation of dangerous gases during the charging process under the tank.

While the water tank is folded up, you must not clean with any water.

When **charging maintenance-free batteries**, the water tank does not need to be folded up.

- Insert the plug of the connecting cable into the socket. The charging process will start.

**Note:** The selected battery will be displayed during charging.

- Charge until the display shows a full charge.

#### Low maintenance batteries (wet batteries)

#### **⚠ WARNING**

Danger of caustic material!

- Adding water to the battery in its discharged state can cause the acid to leak.
- Use safety glasses while handling battery acid and follow the safety instructions to avoid personal injury or damage to clothes.
- Should the acid spray on to the skin or clothes, rinse immediately with lots of water.

#### CAUTION

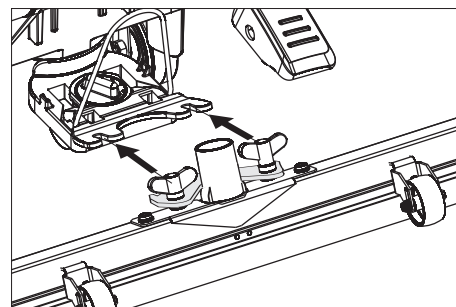
Risk of damage!

- Use only distilled or desalinated water (EN 50272-T3) for filling the battery.
- Do not add any substances (so-called performance improving agents), else warranty claims will not be entertained.
- Replace batteries only with batteries of the same type. Otherwise, the charging guideline must be readjusted by customer service.

### Installing the Squeegee Tool

- Insert the squeegee tool into the squeegee tool suspension in such a manner that the profiled sheet is positioned above the suspension.

- Tighten the wing nuts.



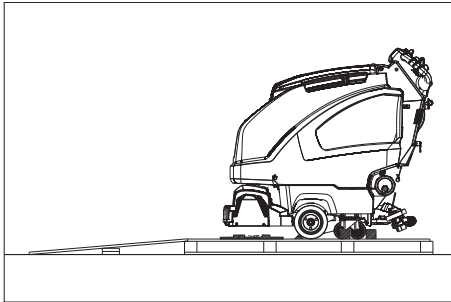
- Insert the suction hose.

## Unloading

### **⚠ DANGER**

Risk of injury. Pull the Intelligent Key to take all functions out of operation immediately.

- ➔ Insert batteries and connect (see "Before Start-up").
- ➔ Place long lateral boards of the packaging as a ramp next to the pallet.



- ➔ Fix the ramp on the pallet with nails.
- ➔ Place short boards as a support underneath the ramp.
- ➔ Remove the wooden bars in front of the wheels.
- ➔ Lift the cleaning head by pressing the pedal all the way down. Remove the cardboard with the R cleaning head.

### **B 40 C Bp**

- ➔ Push down the machine through the ramp from the pallet.

### **B 40 W Bp**

- ➔ Plug in the Intelligent Key.
- ➔ Turn the program selection switch to transport mode.
- ➔ Press the driving lever and slowly move the machine down from the ramp.
- ➔ Remove the Intelligent Key.

## Operation

### **⚠ DANGER**

Risk of injury. Push the pedal for raising/lowering the cleaning head with one foot only. The other foot must be placed firmly on the ground. In dangerous situations, release the safety switch/drive lever.

### **Driving with motor support (B 40 W Bp only)**

### **CAUTION**

Risk of damage. The vacuum bar must be lifted to move in reverse direction.

### **Note**

The machine is designed in such a way that the brush head protrudes on the right. This helps in working in a proper way even close to the edges.

- ➔ Plug in the Intelligent Key.
- ➔ Preselect the speed on the drive speed rotary knob.
- ➔ Turn the programme selection switch to transport mode.
- ➔ Drive the machine.
  - Forwards: Press the driving lever to the front.
  - Backward: Press the driving lever to the rear.

### **Note**

The machine moves only when the driving lever is moved by 15°.

- ➔ Stop the machine: Release driving lever.

## Filling in detergents

### **Fresh water**

- ➔ Open the lock of the fresh water reservoir.
- ➔ Fill fresh water (maximum 122 °F / 50 °C) until the lower edge of the filling nozzle.
- ➔ Close the lock of the fresh water reservoir.

### **With automatic fill of fresh water reservoir (option)**

- ➔ Connect the hose to the automatic filling system and open the water supply (max. 122 °F / 50 °C, max. 72.5 psi / 5 bars).
- ➔ Monitor the appliance - the automatic filling system will interrupt the water supply when the tank is full.
- ➔ Shut off the water supply and disconnect the hose from the appliance.

### **Detergent**

#### **⚠ Warning**

Risk of damage. Only use the recommended detergents. With respect to different detergents the operator bears the increased risk regarding the operational safety and danger of accident.

Only use detergents that are free from solvents, hydrochloric acid and hydrofluoric acid.

Follow the safety instructions for using detergents.

### **Note**

Do not use highly foaming detergents.

### **Recommended detergents:**

Application	Detergent
Routine cleaning of all water resistant floors	RM 746 RM 780
Routine cleaning of glossy surfaces (e.g. granite)	RM 755 es
Routine cleaning and basic cleaning of industrial floors	RM 69 ASF
Routine cleaning and basic cleaning of fine stoneware tiles	RM 753
Routine cleaning of tiles in sanitary areas	RM 751
Cleaning and disinfection in sanitary areas	RM 732
Removal of coating from all alkali-resistant floors (e.g. PVC)	RM 752
Removal of coating from linoleum floors	RM 754

### **Appliance with dosing equipment DOSE (option)**

Detergent is added to the fresh water on the way to the cleaning head with the help of a dosaging device.

### **Note**

The metering device can be used to add 3% of detergent at maximum. In case of a higher dose the detergent must be poured into the fresh water tank.

- ➔ Place the detergent bottle into the holder.
- ➔ Close the bottle lid.
- ➔ Insert the suction hose of the dosaging equipment into the bottle.

### **Note**

If the fresh water tank is empty, then the function of adding detergent gets deactivated. The cleaning head continues to work without the addition of any liquid.

### **Models without dosing equipment**

- ➔ Add the detergent to the fresh water reservoir.

## Setting the water quantity

- ➔ Adjust the water quantity using the regulating button according to the dirt on the floor covering.

### **Note**

Carry out the initial cleaning attempts with little quantities of water. Increase water quantity step-by-step until the desired cleaning result is achieved.

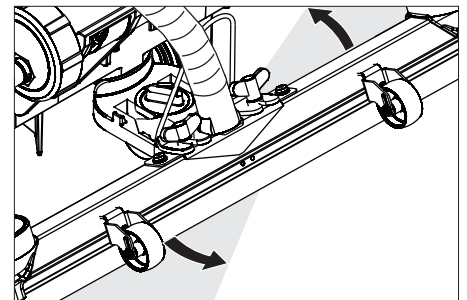
The detergent pump of the dosing equipment does not start working until a minimum water volume is present.

## Setting the Squeegee Tool

### **Oblique position**

To improve the vacuuming result on tiled floors the squeegee tool can be turned to an oblique position of up to 5°.

- ➔ Loosen the wing nuts.
- ➔ Turn the squeegee tool.



- ➔ Tighten the wing screws.

### **Inclination**

If the vacuum result is unsatisfactory the inclination of the straight squeegee tool can be modified.

- ➔ Adjust the rotary handle to incline the suction bar.

## Setting the parameters

### **With yellow Intelligent Key**

Parameters for the different cleaning programmes are preset in the appliance. Depending on the authorisation of the yellow Intelligent Key, individual parameters can be changed.

If you wish to permanently change the parameters, you must use a grey Intelligent Key. This adjustment procedure is described in the section "Grey Intelligent Key".



### Note:

Almost all displayed text regarding parameter adjustment is self-explanatory. The only exception is the parameter FACT:

- Fine Clean: Lower brush speed for removing the gray film on fine stone floors.
- Whisper Clean: Medium brush speed for regular cleaning with reduced noise level.
- Power Clean: High brush speed for polishing, crystallising and sweeping.
- Turn the program selection switch to the desired cleaning program.
- Turn the info button until the desired parameter is displayed.
- Press Info button - the set value blinks.
- Set the desired value by turning the info button.
- Confirm the changed setting by pressing the Info button or wait till the set value is automatically accepted after 10 seconds.

## Cleaning

### CAUTION

*Risk of damage to the floor covering. Do not operate the appliance on the spot.*

- Turn the program selection switch to the desired cleaning program.

### Lower the cleaning head

- Press the pedal for lowering the cleaning head downwards slightly and then move it to the left. This unlocks the pedal. Release the pedal slowly upwards. The cleaning head is lowered.

### Note

*The brush motor comes to a halt when the machine stops and when there is overload.*

### Lower the vacuum bar

- Pull the lever out and press it down; the vacuum bar is lowered.

### Note

*For cleaning tiled floors, set the straight vacuum bar in such a way that cleaning is done at right angles to the joints.*

*The inclined position and the inclination of the vacuum bar can be adjusted to achieve better suction results (see "Setting the Vacuum Bar").*

*If the wastewater reservoir is full, the floater will close the suction opening and the suction turbine will run at a higher speed. If this is the case, shut the vacuum off and drive to empty the wastewater reservoir.*

## Shutting Down the Appliance

- Close the regulatory button for setting the water quantity.
- Release drive lever/safety switch.
- Set the program selection switch to suction or vacuuming.
- Lift the cleaning head.
- Briefly drive forward and suck of the remaining water.
- Raise the squeegee tool.

The suction turbine will continue to run for 10 more seconds to suck off residual water from the vacuum bar and the vacuum hose.

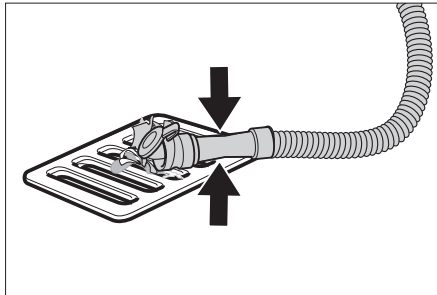
- Remove the Intelligent Key.
- Charge battery, if required.

## Drain off dirt water

### ⚠ Warning

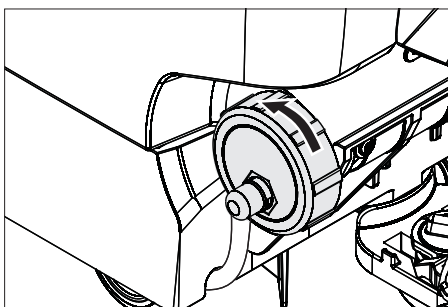
*Please observe the local provisions regarding the wastewater treatment.*

- Take the water discharge hose from the support and lower above a suited collection device.



- Crush or bend the dosing equipment.
- Open the lid of the dosing equipment.
- Drain off the dirt water - regulate the water quantity by pressing or bending.
- Rinse the wastewater reservoir with clean water or with the rinsing system for the wastewater reservoir (option).

## Drain off clean water



- For a quicker emptying process, remove the entire lid.
- To rinse the fresh water reservoir, remove the cover completely and remove the fresh water filter.

## Grey Intelligent Key

- Plug in the Intelligent Key.
- Select the desired function by turning the Info button.

The different functions are described in the following.

## Key menu >>

In this menu item, the authorisation for the yellow Intelligent Keys are released.

- Press the info button while "Key menu >>" is displayed.
- Remove the grey Intelligent Key and insert the yellow Intelligent Key to be programmed.
- Select the desired menu item to be modified by turning the Info button.
- Press Info button.

- Adjust the menu item by turning the Info button.
- Confirm the setting by pressing the menu item.
- Select the next menu item to be modified by turning the Info button.
- To save the authorisations, retrieve the menu "Save settings" by turning the info button and pressing it.
- To exit, retrieve the menu "Exit menu" by turning the info button and pressing it.

## Cleaning App >>

Parameters that are adjusted with the grey Intelligent Key, are kept until another setting is selected.

- Turn the program selection switch to the desired cleaning program.
- Turn the info button until "Cleaning App >>" is displayed.
- Press the info button - the first adjustable parameter is displayed.
- Press Info button - the set value blinks.
- Set the desired value by turning the info button.
- Confirm the changed setting by pressing the Info button or wait till the set value is automatically accepted after 10 seconds.
- Select the next parameter by turning the Info button.
- After all desired parameters have been modified, turn the info button until "Exit menu" is displayed.
- Press the info button - you will exit the menu.

## Setting the language

- Press Info button - the set value blinks.
- Set the desired language by turning the info button.
- Confirm the changed setting by pressing the Info button or wait till the set value is automatically accepted after 10 seconds.

## Brush trailing

Adjust the trailing time of the brushes.

- Same adjustment as "Set language".

## Setting the charging marker line

- Turn the info button until the function "Battery menu" is displayed.
- Press the info button - select the charging marker line according to the built-in batteries.

**Note:** Setting the charging marker line should be discussed with Kärcher customer service. This applies especially if the battery is not listed in the menu.

- Confirm the changed setting by pressing the Info button or wait till the set value is automatically accepted after 10 seconds.

## LOAD DEFAULT

Recreate the basic settings.

## Transport

### **⚠ DANGER**

*Risk of injury! When loading or unloading the machine, it may only be operated on gradients of max. incline (see "Technical Specifications"). Drive slowly.*

### **CAUTION**

*Risk of injury and damage! Observe the weight of the appliance when you transport it.*

- Raise the cleaning head to avoid damage to the brushes.
- Remove the brush to avoid damage to the brushes.
- When transporting in vehicles, secure the appliance according to the guidelines from slipping and tipping over.

## Storage

### **CAUTION**

*Risk of injury and damage! Note the weight of the appliance in case of storage.*

This appliance must only be stored in interior rooms.

## Maintenance and care

### **⚠ DANGER**

*Risk of injury! Before working on the appliance, remove the Intelligent Key and the mains plug of the charger.*

- Drain and dispose of the dirty water and the residual fresh water.

### Maintenance schedule

#### Maintenance intervals

Recommended cleaning processes are shown on the display at certain cleaning intervals.

- Perform the maintenance task shown on the display.
- Press the Info Button, the display will be reset. The display will be shown again at certain predefined time intervals.

Display	Display all
Clean the vacuum bar	20 hours
Clean the fluff filter	20 hours
Clean water filter.	50 hours
Check the suction lips	100 hours
Check the brushes	100 hours
Service reset	200 hours

**Note:** A service reset resets all maintenance intervals.

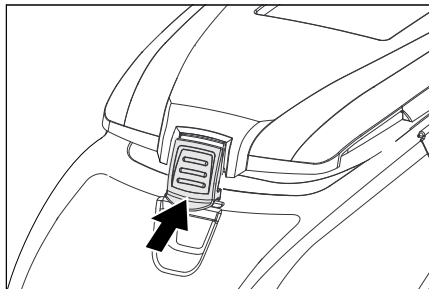
#### After each operation

### **CAUTION**

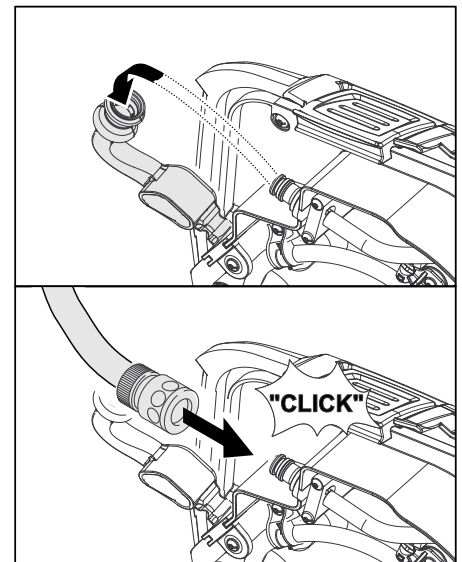
*Risk of damage. Do not wash down the appliance with water and do not use aggressive detergents.*

- Drain off dirty water.
- Rinse the wastewater reservoir with clean water or with the rinsing system for the wastewater reservoir (option).

- Remove the coarse dirt sieve from the wastewater reservoir and clean it.
- Clean the outside of the appliance with a damp cloth which has been soaked in mild detergent.
- Check the lint filter, clean if required
- Only BR model: Remove bulk waste container and empty it.
- Clean the squeegee blades and the wiping lips, check for wear and replace if required.
- Check the brushes for wear, replace if required.
- Press the lock of the wastewater reservoir in and close the cover of the wastewater reservoir so that a gap remains open to facilitate drying.

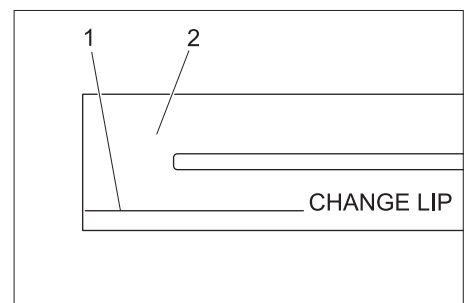


- Connect the water hose to the rinsing system.



- Close the cover of the wastewater reservoir until it rests on the flexible lock.
- Open the water supply and rinse the wastewater reservoir for about 30 seconds.
- Repeat the rinsing process 2 to 3 times.
- Shut off the water supply and disconnect the hose from the appliance.
- Reattach the flexible lock to the connection. Leave the wastewater reservoir cover open a crack to let it dry.

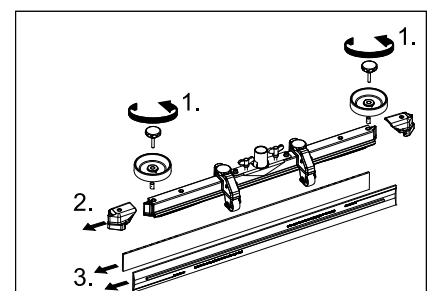
#### Replace or turn vacuum lips



- 1 Wear indicator
- 2 Squeegee blade

The vacuum lips must be replaced or reversed if they are worn down to the wear indicator.

- Remove the squeegee tool.
- Unscrew the star grips.



- Remove the plastic parts.
- Remove the squeegee blades.
- Insert new or reversed vacuum lips.
- Insert the plastic parts.
- Screw in and tighten the star grips.

#### Weekly

- When used regularly, charge the battery fully and without interruption at least once a week.

#### Monthly

- Check battery poles for oxidation, brush off if necessary. Ensure that the connection cable sits firmly.
- Clean the seals between dirty water reservoir and cover and check for tightness, replace if required.
- Check the acid density of the cells if the batteries are not maintenance-free batteries.
- Clean the brush tunnel (only BR model).
- For long periods of disuse, only turn the device off when the battery is fully charged. Fully recharge the battery at least every month.

#### Yearly

- Have the prescribed inspection carried out by the customer service.

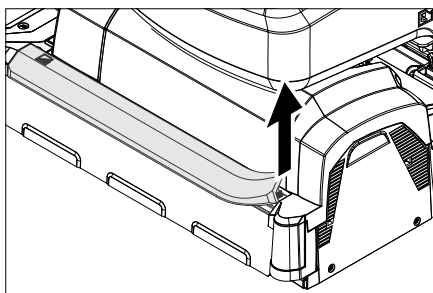
### Maintenance Works

#### Wastewater reservoir rinsing system (option)

- Drain the wastewater, see section "Drain wastewater".
- Open the cover of the wastewater reservoir.
- Pull the flexible lock off of the rinsing system.

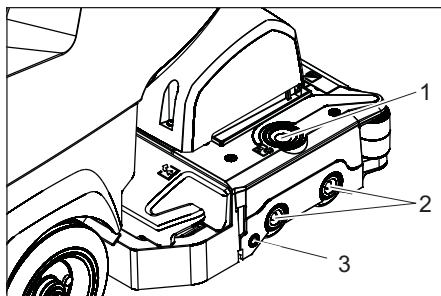
### Clean water distribution channel

- ➔ Remove the rubber strip and clean the channel with a cloth. After cleaning, replace the rubber strip evenly.



### Replacing the brush rollers

- ➔ Lift the cleaning head.

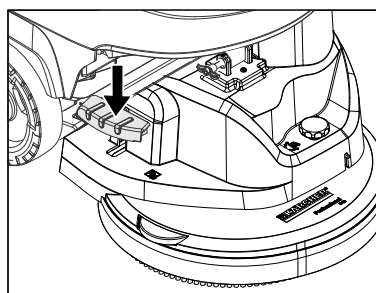


- 1 Unlocking key, storage cover
- 2 Brush
- 3 Push button

- ➔ Press the release button of the storage cover.
  - ➔ Swivel the storage cover to the side.
  - ➔ Pull out the brush rollers.
- Note:** The brush rollers must be replaced when the bristle length has reached 10 mm.
- ➔ Insert new brush rollers.
  - ➔ Swivel the storage cover back and press it closed on the pushbutton.

### Replacing the disk brushes

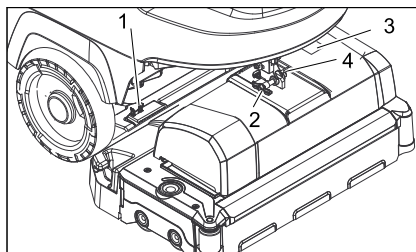
- ➔ Lift the cleaning head.
- ➔ Press the pedal for changing the brushes downward beyond its resistance.



- ➔ Pull the disc brush out of the side below the cleaning head.
- ➔ Hold the new disc brush under the cleaning head, push upward and lock.

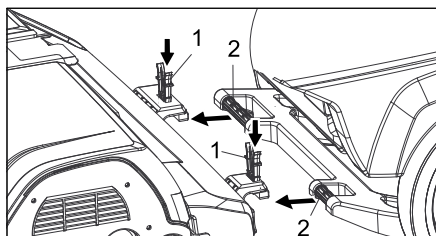
### Install cleaning head

- ➔ Push the appliance forward about 2 m so that the steering rollers point toward the rear.
- ➔ Press the pedal for lowering the cleaning head downwards slightly and then move it to the left. This unlocks the pedal. Release the pedal slowly upwards. The lift arm of the cleaning head will be lowered.
- ➔ Empty the solution and recovery tank.
- ➔ Loosen the tank lock and tilt the tank upwards.



- 1 Spring element
- 2 Locking pin
- 3 Terminal strip cover
- 4 Lock of safety pin

- ➔ Place the cleaning head halfway in front of the appliance.
- ➔ Remove the terminal strip cover.
- ➔ Connect the mains supply cable of the cleaning head to the appliance.
- ➔ Attach the terminal strip cover.
- ➔ Connect the hose couplers on the cleaning head to the hose on the appliance.



- 1 Spring element
- 2 Push handle

- ➔ Insert the push bow into the cleaning head intake.
- ➔ Push the spring elements down and lock them into place.
- ➔ Align the lift arm of the cleaning head with the intake on the top side of the cleaning head.
- ➔ Insert the safety pin and lock it into place.
- ➔ **Adjust the cleaning head:** to the desired position via the adjustment screw.
- ➔ Swivel the water reservoir all the way down, check the lock.

### Dismantling the cleaning head

The removal will take place in the opposite order of the installation.

#### CAUTION

When the cleaning head is removed, the stability of the appliance can be compromised; ensure a safe stance. Possibly support the rear to prevent tipping.

## Batteries

Please observe the following warning notes when handling batteries:

	Observe the directions on the battery, in the instructions for use and in the vehicle operating instructions
	Wear eye protection
	Keep children away from acid and batteries
	Danger of explosion
	Fire, sparks, naked flames and smoking must be strictly avoided
	Danger of chemical burns
	First aid
	Warning note
	Disposal
	Do not throw the battery into the regular waste

#### ⚠ Danger

*Danger of explosion. Do not put tools or other objects on the battery, i.e. on the terminal poles and cell connectors. Risk of injury. Ensure that wounds never come into contact with lead. Always clean your hands after having worked with batteries.*

#### Recommended batteries, B 40

Order No.	Description	
6.654-141.0 <sup>1)</sup>	105 Ah - maintenance-free	12 V*
6.654-093.0 <sup>2)</sup>	70 Ah - maintenance-free	12 V*
6.654-097.0 <sup>3)</sup>	80 Ah, - low maintenance	12 V*

\* Appliance requires 2 batteries

<sup>1)</sup> Complete set (24 V/105 Ah) incl. connecting cable, order no. 4.035-449.0

<sup>2)</sup> Complete set (24 V/70 Ah) incl. connecting cable, order no. 4.035-447.0

<sup>3)</sup> Complete set (24 V/80 Ah) incl. connecting cable, order no. 4.035-450.0

### Insert batteries and connect

- Push the appliance forward about 2 m so that the steering rollers point toward the rear.
- Lower the cleaning head.
- Empty the solution and recovery tank .
- Loosen the tank lock and tilt the tank upwards.
- Place the batteries in the tray close to each other towards the cleaning head and fasten them to the floor using the included holding blocks.

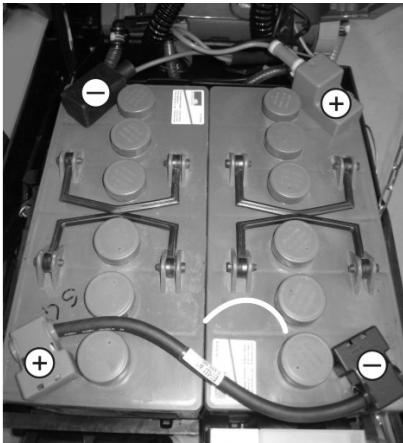
#### CAUTION

*When the batteries are installed and removed, the stability of the appliance can be compromised; ensure a safe stance.*

- Connect the connection cable to the free battery poles (+) and (-).
- Connect pole using the enclosed connecting cable.

#### ⚠ Warning

*Pay attention to correct poles.*



*Installation sketch for 2 batteries*

- Swivel the water reservoir all the way down, check the lock.

#### Note

*Charge the batteries before commissioning the appliance.*

*See also "Charging the batteries".*

### Removing the batteries

#### CAUTION

*Risk of damage due to tipping appliance; remove batteries only if the appliance is equipped with a cleaning head.*

- Remove the Intelligent Key.
- Push the appliance forward about 2 m so that the steering rollers point toward the rear.
- Lower the cleaning head.
- Loosen the tank lock and tilt the tank upwards.
- Remove the connection for the minus pole of the battery.
- Remove the remaining connector from the battery
- Remove the support blocks or the foam pieces.
- Remove the batteries.

#### CAUTION

*When the batteries are installed and removed, the stability of the appliance can be compromised; ensure a safe stance.*

- Dispose of the used batteries according to the local provisions.

### Maintenance contract

To ensure a reliable operation of the appliance maintenance contracts can be concluded with the competent Kärcher sales office.

### Frost protection

In case of danger of frost:

- Empty the solution and recovery tank .
- Store the appliance in a frost-protected room.



## Faults

### **⚠ DANGER**

*Risk of injury! Before working on the appliance, remove the Intelligent Key and the mains plug of the charger.*

- ➔ Drain and dispose of the dirty water and the residual fresh water.

### Faults with display

Display	Remedy
ERR_I_BÜRSTE_049	Check if foreign matters block the brushes; remove foreign matter if required.
ERR_I_TURB_050	Check suction turbine for contamination and clean it if necessary.
ERR_U_BATT_001	Check battery; charge it if required.

If the display shows different error messages or if the error cannot be remediated:

- ➔ Remove the Intelligent Key.
- ➔ Wait for 10 seconds.
- ➔ Plug in the Intelligent Key.
- ➔ If the fault recurs, call customer service.

### Faults without display on the console

Fault	Remedy
Appliance cannot be started	Stand-by. Turn the appliance off and reinsert the Intelligent Key. Turn the program selection switch to the desired programme.
	Check battery; charge it if required.
	Make sure that all battery terminals are connected.
Insufficient water quantity	Check fresh water level, refill tank if necessary.
	Increase the water volume on the regulating knob for water volume.
	Unscrew the lock of the fresh water reservoir. Remove and clean the fresh water filter. Insert the filter and screw in the lock.
	Remove the water distribution strip from the cleaning head and clean water canal (only R cleaning head).
	Check hoses for blockages; clean if required.
Do not add detergents	Increase the water volume to activate the dosing pump.
	Check the detergent level
Insufficient vacuum performance	Clean the seals between dirty water reservoir and cover and check for tightness, replace if required.
	Wastewater reservoir is full; shut off the appliance and empty the wastewater reservoir
	Clean the lint trap.
	Clean the squeegee blades on the squeegee tool, replace if required
	Check suction hose for blockages; clean if required.
	Check the suction hose for tightness; replace if required.
	Check if the cover on the dirty water discharge hose is closed
	Check the setting of the squeegee tool.
Insufficient cleaning result	Check the brushes for wear, replace if required.
Brushes do not turn	Check if foreign matters block the brushes; remove foreign matter if required.
	If over-current switch in the electronics system has been triggered, turn programme selection switch to "OFF". Afterwards, set it back to the desired programme.
Vibrations during cleaning	You might need to use softer brushes.

**In case of faults that cannot be remedied using the table below please contact the customer service.**

## Accessory B 40

### BR appliance B 40 (brush roller accessories)

Description	Part no.: Working width 17.7 in. (450 mm)	Part no.: Working width 21.6 in. (550 mm)	Description	Packaging unit	Appliance requires
Brush roller, red (medium, standard)	4.762-392.0	4.762-393.0	Also for regular cleaning of heavily dirtied floors.	1	2
Brush roller, white (soft)	4.762-405.0	4.762-409.0	For polishing and cleaning sensitive floors.	1	2
Brush roller, orange (high/ low)	4.762-406.0	4.762-410.0	For scrubbing structured floors (safety tiles, etc.).	1	2
Brush roller, green (grit)	4.762-407.0	4.762-411.0	For thoroughly cleaning heavily dirtied floors and for removing the coating (for e.g. of wax, acrylate).	1	2
Brush roller, grey (1 mm grit)	4.762-408.0	4.762-412.0		1	2
Pad roller shaft	4.762-413.0	4.762-415.0	For intake of roller pads.	1	2
Roller pad, white (very soft)	6.367-108.0	6.369-735.0	For cleaning and polishing sensitive floorings.	1	2
Roller pad, yellow (soft)	6.367-105.0	6.369-732.0	For polishing floors.	1	2
Roller pad, red (medium)	6.367-107.0	6.369-734.0	For cleaning slightly dirtied floors.	1	2
Roller pad, green (hard)	6.367-106.0	6.369-733.0	For cleaning normal to heavily dirtied floors.	1	2

### BD appliances B 40 (disc roller accessories)

Description	Part no.: Working width 16.9 in. (430 mm)	Part no.: Working width 20.0 in. (510 mm)	Description	Packaging unit	Appliance requires
Disk brush, natural (white)	4.905-023.0	4.905-027.0	For polishing floors.	1	1
Disk brush, white	4.905-024.0	4.905-028.0	For polishing and cleaning sensitive floors.	1	1
Disk brush, red (medium, standard)	4.905-022.0	4.905-026.0	For cleaning slightly dirtied or sensitive floors.	1	1
Disk brush, black (hard)	4.905-025.0	4.905-029.0	For cleaning heavily dirtied floors.	1	1
Driver plate pad	4.762-533.0	4.762-534.0	For intake of pads.	1	1

### BR/BD appliances B 40 (vacuum bar accessories)

Description	Part no.: Working width 33.4 in. (850 mm)	Description	Packaging unit	Appliance requires
Rubber lip, blue	6.273-213.0	Standard	pair	1 pair
Rubber lip, transparent, grooved	6.273-207.0	oil-resistant	pair	1 pair
Rubber lip, transparent	6.273-229.0	Non-scarring	pair	1 pair
Rubber lip, transparent	6.273-290.0	For difficult floors	pair	1 pair
Squeegee tool, straight	4.777-401.0	Standard	1	1
Squeegee tool, bent	4.777-411.0	Standard	1	1

## Technical specifications

		BR appliance B 40		BD appliance B 40	
		R 45	R 55	D 43	D 51
<b>Power</b>					
Nominal voltage	V	24		24	
Battery capacity	Ah (5h)	70, 80; 105		70, 80; 105	
Average power consumption	W	1400		1400	
Drive motor output (rated output) (B 40 W Bp only)	W	130		130	
Suction engine output	W	500		500	
Brush engine output	W	600		600	
<b>Vacuuming</b>					
Vacuum power, air volume (max.)	l/s	22		22	
	gpm	348		348	
Vacuuming power, negative pressure (max.)	kPa	12,0		11,5	
	psi	1.74		1.67	
<b>Cleaning brushes</b>					
Brush speed	1/min	600 - 1200		180	
<b>Dimensions and weights</b>					
Theoretical surface cleaning performance	m <sup>2</sup> /h sq.ft/h	1800 19000	2200 23700	1800 19000	2200 23700
Max. working range incline	%	2		2	
Fresh/dirty water reservoir volume	l gal	40 / 40 10.6 / 10.6		40 / 40 10.6 / 10.6	
Max. water temperature	°C	50		50	
	°F	122		122	
Max. water pressure	kPa	500		500	
	psi	72,5		72,5	
Net weight (transport weight)	kg	164 (with batteries 105 Ah)		164 (with batteries 105 Ah)	
	lb.	362 (with batteries 105 Ah)		362 (with batteries 105 Ah)	
Total weight (ready to operate)	kg	204 (with batteries 105 Ah)		204 (with batteries 105 Ah)	
	lb.	450 (with batteries 105 Ah)		450 (with batteries 105 Ah)	
Sound pressure level L <sub>pA</sub>	dB(A)	68		68	
<b>Subject to technical modifications!</b>					

### Spare parts

- Only use accessories and spare parts which have been approved by the manufacturer. The exclusive use of original accessories and original spare parts ensures that the appliance can be operated safely and trouble free.
- At the end of the operating instructions you will find a selected list of spare parts that are often required.
- For additional information about spare parts, please go to the Service section at [www.kaercher.com](http://www.kaercher.com).

### NOTICE:

Le présent appareil est conforme aux CNR d'Industrie Canada applicables aux appareils radio exempts de licence. L'exploitation est autorisée aux deux conditions suivantes:

- (1) l'appareil ne doit pas produire de brouillage, et
- (2) l'utilisateur de l'appareil doit accepter tout brouillage radioélectrique subi, même si le brouillage est susceptible d'en compromettre le fonctionnement.

## Table des matières

CONSIGNES DE SÉCURITÉ IMPORTANTES .....	FR .. 1
REGLES DE SECURITE ET PRATIQUES RELATIVES A L'UTILISATION .....	FR .. 1
PROCEDURES D'ENTRETIEN ET DE REMISE EN ETAT ..	FR .. 2
NORMES DE SECURITE INCENDIE .....	FR .. 2
Consignes générales .....	FR .. 2
Fonction .....	FR .. 3
Utilisation conforme .....	FR .. 3
Éléments de commande et de fonction .....	FR .. 4
Avant la mise en service ..	FR .. 5
Fonctionnement .....	FR .. 6
Arrêt et mise hors marche de l'appareil .....	FR .. 7
Intelligent Key grise .....	FR .. 7
Transport .....	FR .. 8
Entreposage .....	FR .. 8
Entretien et maintenance ..	FR .. 8
Protection antigel .....	FR .. 10
Pannes .....	FR .. 11
Accessoires B 40 .....	FR .. 12
Caractéristiques techniques	FR .. 13
Pièces de rechange .....	FR .. 13

## CONSIGNES DE SÉCURITÉ IMPORTANTES

### LIRE TOUTES LES INSTRUCTIONS AVANT D'UTILISER LE PRODUIT

#### ⚠ AVERTISSEMENT

Pour réduire les risques d'incendie, de choc électrique ou de blessure:

- NE PAS LAISSER l'appareil sans surveillance lorsqu'il est branché. Débrancher l'appareil lorsqu'il n'est pas utilisé et avant de procéder à l'entretien.

#### ⚠ AVERTISSEMENT

- UTILISER L'APPAREIL EXCLUSIVEMENT À L'INTÉRIEUR POUR RÉDUIRE LES RISQUES D'ÉLECTROCUTION
- Ne pas permettre une utilisation comme jouet. Ne jamais le laisser sans surveillance attentive lorsqu'il est utilisé par ou à proximité d'enfants.

- Respecter impérativement les consignes d'utilisation de ce manuel. Utiliser uniquement les accessoires recommandés par le fabricant.
- Ne pas mettre l'appareil en service en cas d'endommagement du cordon ou de la prise. Si l'appareil ne fonctionne pas correctement, s'il est tombé, s'il a été endommagé, s'il est resté à l'extérieur ou est tombé dans l'eau, le retourner à un centre de service.
- Ne pas tirer ou transporter l'appareil par le cordon électrique ou se servir de ce dernier comme d'une poignée. Veiller à ne pas coincer le cordon dans une porte et éviter de le tirer sur des bords ou des coins tranchants. Ne pas laisser l'appareil rouler sur le cordon. Tenir le cordon à l'écart des surfaces chaudes.
- Ne pas tirer sur le cordon électrique pour débrancher l'appareil. Tirer au niveau de la fiche pour déconnecter l'appareil du secteur.
- Ne pas manipuler l'appareil ou la fiche électrique avec les mains mouillées.
- Ne rien introduire dans les orifices. Ne pas utiliser l'appareil si l'un des orifices est obstrué. Protéger les orifices de la poussière, des peluches, des cheveux et autres matières susceptibles de réduire le débit d'air.
- Veiller à ne pas approcher les cheveux, vêtements larges, doigts ou toute autre partie du corps des orifices et composants mobiles de l'appareil.
- Désactiver toutes les commandes avant de débrancher l'appareil.
- Faire particulièrement attention lors du nettoyage d'escaliers.
- Ne pas aspirer de liquides inflammables ou combustibles, tels que de l'essence avec l'appareil. Ne pas utiliser ce dernier dans des zones susceptibles de contenir de tels produits.
- Brancher uniquement sur une prise correctement reliée à la terre. Voir les instructions de mise à terre.

### Instructions de mise à terre

Ce produit doit être mis à la terre. En cas de mauvais fonctionnement ou de panne, la mise à la terre établit un chemin de moindre résistance pour le courant électrique afin de réduire le risque de décharge électrique. Ce produit est équipé d'un cordon doté d'un conducteur de mise à la terre de l'équipement et d'une prise de mise à la terre. La prise doit être branchée dans une prise appropriée qui est correctement installée et mise à la terre en conformité avec les codes et ordonnances locaux.

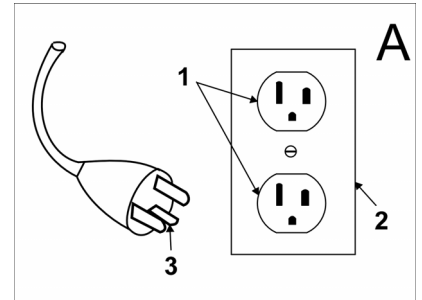
#### ⚠ DANGER

Un conducteur de mise à la terre d'équipement incorrectement branché peut entraîner un risque d'électrocution. Vérifier avec un électricien ou un technicien d'entretien qualifié en cas de doute sur la mise à terre correcte de la prise. Ne pas modifier la fiche fournie avec le produit - si elle ne peut

pas être branchée, faire installer une prise appropriée par un électricien qualifié. N'utiliser aucun type d'adaptateur avec ce produit.

Cet appareil a été conçu pour fonctionner à une tension nominale de 120 volts ; sa fiche de mise à la terre est similaire à celle illustrée à la figure A. S'assurer que la prise de courant utilisée est compatible avec la fiche secteur. Ne pas utiliser d'adaptateur pour brancher cet appareil.

### BRANCHER UNIQUEMENT SUR UNE PRISE CORRECTEMENT RELIÉE À LA TERRE



- 1 Prise reliée à la terre
- 2 Socle de prise de courant
- 3 Fiche de mise à terre

## REGLES DE SECURITE ET PRATIQUES RELATIVES A L'UTILISATION

### Responsabilité du propriétaire/de l'utilisateur

Avant d'utiliser ce nettoyeur pression, le propriétaire et/ou l'utilisateur doit impérativement avoir pris connaissance des consignes d'utilisation et mises en garde du fabricant.

Il est nécessaire d'insister sur les avertissements et de les comprendre.

Si l'utilisateur ne parle pas couramment l'anglais, l'acheteur/le propriétaire doit lire les consignes et mises en garde du fabricant avec l'utilisateur dans la langue maternelle de ce dernier et s'assurer qu'il en comprend bien le contenu.

Le propriétaire et/ou l'utilisateur doit se familiariser avec les consignes du fabricant et les conserver afin de pouvoir s'y référer ultérieurement.

### Généralités

Avant de commencer à faire fonctionner l'unité, soyez dans une position d'opération.

Ne pas démarrer ou utiliser l'appareil, ni aucune de ses fonctions ou accessoires, à partir d'un autre endroit que celui réservé à l'utilisateur.

Avant de quitter le poste de l'utilisateur :

- A arrêter l'appareil ;
- B si l'appareil doit stationner sur une pente, caler les roues.



Conserver une distance de sécurité avec les bords des rampes, des plates-formes et de toutes les autres surfaces de travail du même type.

Ne pas ajouter d'accessoires à l'appareil ni le modifier de quelque manière que ce soit. Ne pas stationner à un endroit où l'appareil risque d'entraver les issues de secours, les cages d'escaliers ou les équipements de lutte contre l'incendie.

### Conduite

Céder la priorité aux piétons ainsi qu'aux véhicules d'urgence comme les ambulances et les camions de pompiers.

Traverser les voies ferrées à angle droit lorsque c'est possible. Ne pas garer l'appareil à moins de 1,8 m de la voie ferrée ou du rail le plus proche.

Veiller à conserver une vue bien dégagée du trajet à emprunter et être attentif à la circulation des autres véhicules, aux déplacements des membres du personnel, ainsi qu'aux espaces de dégagement.

Quelles que soient les conditions de circulation, conserver une vitesse permettant d'arrêter l'appareil en toute sécurité.

Ne jamais adopter de conduite dangereuse (cascades, acrobaties etc.)

Ralentir sur les sols mouillés et glissants.

Avant de déplacer l'appareil sur un pont de chargement ou un pont de liaison, s'assurer que celui-ci est correctement sécurisé.

Avancer prudemment et lentement sur le pont de chargement ou pont de liaison. Ne jamais dépasser la charge maximale autorisée.

Dans les virages, ralentir et adopter une vitesse de sécurité adaptée à l'environnement d'utilisation. Les virages doivent être abordés sans à-coups.

### Entretien de l'appareil par l'utilisateur

Si le véhicule a besoin d'être réparé ou présente un risque quelconque, l'utilisateur doit le signaler immédiatement à son responsable et ne pas utiliser l'appareil avant résolution du problème.

Si, en cours d'utilisation, le véhicule s'avère dangereux de quelque façon que ce soit, signaler immédiatement le problème au responsable concerné et cesser l'utilisation de l'appareil avant résolution du problème. Ne pas effectuer de réparations ou réglages à moins d'y être expressément autorisé.

## PROCEDURES D'ENTRETIEN ET DE REMISE EN ETAT

L'utilisation de l'appareil peut devenir dangereuse si l'entretien est négligé ou si la remise en état ou les réglages nécessaires ne sont pas effectués en conformité avec les recommandations du fabricant. Par conséquent, il est nécessaire de prévoir des ateliers de maintenance, à l'intérieur ou l'extérieur des bâtiments, avec du personnel dûment formé, ainsi que d'établir des procédures détaillées.

La maintenance et l'inspection de l'appareil doivent être effectuées conformément aux procédures suivantes :

A Les intervalles prescrits pour la maintenance, la lubrification et le contrôle du système doivent être respectés; se reporter aux instructions du fabricant.

B Seules les personnes formées et habilitées sont autorisées à utiliser les autolaveuses motorisées. Les utilisateurs de ces appareils doivent avoir les aptitudes visuelles et auditives ainsi que les capacités physiques et mentales requises pour utiliser cet équipement en toute sécurité.

Eviter les risques d'incendie et s'assurer que les locaux sont dotés des équipements nécessaires pour la lutte contre l'incendie. Ne jamais utiliser de bacs ouverts contenant du carburant ou des produits de nettoyage inflammables pour nettoyer les composants de l'autolaveuse motorisée.

## NORMES DE SECURITE INCENDIE

Tout appareil dont le fonctionnement représente un risque doit être mis hors service. Les réparations ne doivent pas être effectuées dans les zones de classe I, II et III.

**Prévention des incendies** : L'autolaveuse motorisée doit être tenue propre et dans la mesure du possible, protégée des peluches, des déversements d'huile et de la graisse. L'utilisation de produits non inflammables est recommandée pour le nettoyage de l'autolaveuse motorisée. Les liquides inflammables dont le point d'ignition est égal ou supérieur à 37,8 °C (100 °F) ne sont pas autorisés. Prendre les mesures appropriées concernant la toxicité, l'aération, et les risques d'incendie selon le produit ou solvant utilisé.

**Visibilité de la plaque signalétique** : Les données techniques figurant sur la plaque signalétique de l'appareil ne doivent pas être recouvertes de peinture et les informations d'identification doivent rester visibles.

## Consignes générales



Lire ce manuel d'utilisation original avant la première utilisation de votre appareil, le respecter et le conserver pour une utilisation ultérieure ou pour le futur propriétaire.

Lire le présent mode d'emploi ainsi que la brochure ci-jointe Consignes de sécurité pour les aspirateurs eau/poussières n° 5.956-251.0 avant d'utiliser l'appareil et respecter les instructions.

L'appareil doit uniquement être utilisé sur des surfaces qui ne dépassent pas la pente maximale autorisée ; cf. section "Données techniques".

**L'appareil peut être seulement exploité, lorsque le capot et tous les couvercles sont fermés.**

**Retirer l'Intelligent Key pour une mise hors service immédiate de toutes les fonctions (arrêt d'urgence).**

*L'appareil doit uniquement être utilisé sur des surfaces qui ne dépassent pas la pente maximale autorisée ; cf. section "Données techniques".*

### ⚠ Avertissement

*Ne pas utiliser l'appareil sur des plans inclinés.*

### Dispositifs de sécurité

Les dispositifs de sécurité ont pour but de protéger l'utilisateur et ils ne doivent donc jamais être désactivés ni évités.

**Commutateur de sécurité (B 40 C Bp)**

Lorsque le commutateur de sécurité est relâché, l'entraînement de la brosse s'arrête.

**Levier de conduite (B 40 W Bp)**

Lorsque le levier de conduite est relâché, l'entraînement de conduite et celui de la brosse la brosse s'arrêtent.

### Symboles utilisés dans le mode d'emploi

#### ⚠ Danger

*Pour un danger immédiat qui peut avoir pour conséquence la mort ou des blessures corporelles graves.*



#### ⚠ Avertissement

*Pour une situation potentiellement dangereuse qui peut avoir pour conséquence des blessures corporelles graves ou la mort.*

#### Attention

*Pour une situation potentiellement dangereuse qui peut avoir pour conséquence des blessures légères ou des dommages matériels.*

## Protection de l'environnement

	Les matériaux constitutifs de l'emballage sont recyclables. Ne pas jeter les emballages dans les ordures ménagères, mais les rendre à un système de recyclage.
	Les appareils usés contiennent des matériaux précieux recyclables lesquels doivent être rendus à un système de recyclage. Des batteries, de l'huile et d'autres substances semblables ne doivent pas être tout simplement jetées. Pour cette raison, utiliser des systèmes adéquats de collecte pour éliminer les appareils usés.

## Garantie

Dans chaque pays, les conditions de garantie en vigueur sont celles publiées par notre société de distribution responsable. Les éventuelles pannes sur les accessoires sont réparées gratuitement dans le délai de validité de la garantie, dans la mesure où celles-ci relèvent d'un défaut matériel ou d'un vice de fabrication. En cas de recours en garantie, adressez-vous à votre revendeur ou au service après-vente agréé le plus proche munis de votre preuve d'achat.

## Fonction

L'aspirateur à abrasion sert au nettoyage humide ou au polissage de sols plans.

- L'appareil peut être facilement adapté à la tâche de nettoyage par un réglage du débit d'eau et de la quantité de détergent.
- L'appareil dispose d'un réservoir d'eau propre et un réservoir d'eau sale (chacun d'une contenance de 40 litres). Cela garantit un nettoyage efficace pendant une longue durée d'utilisation.
- En fonction de la tête de nettoyage sélectionnée, la largeur de travail se situe entre 430 et 550 mm sur la B 40.
- **B 40 C Bp**  
Cette variante d'appareil ne dispose d'aucune commande de traction. L'avance se fait en poussant à la main et est soutenue par la rotation des brosses. L'entraînement de la brosse est alimenté par deux batteries.
- **B 40 W Bp**  
Cette variante d'appareil dispose d'une commande de traction. La vitesse de déplacement peut être pré-réglée par une molette de réglage.
- Le chargeur est déjà monté sur tous les appareils. Les batteries peuvent être sélectionnées suivant la configuration (voir pour cela le chapitre « batteries recommandées »)

## Remarque

L'appareil peut être équipé de différents accessoires en fonction de l'application respective.

De plus amples détails figurent dans notre catalogue ou sur notre site Internet

[www.kaercher.com](http://www.kaercher.com)

## Utilisation conforme

L'utilisation de l'appareil doit être faite en conformité avec les consignes figurant dans les instructions de service.

- L'appareil doit uniquement être utilisé pour nettoyer des surfaces planes non sensibles à l'humidité ni au polissage.
- L'appareil n'est pas approprié pour nettoyer des sols gelés (par exemple dans des entrepôts frigorifiques)
- L'appareil doit uniquement être équipé d'accessoires et de pièces de rechange d'origine.
- L'appareil n'est pas approprié pour l'application dans des environnements à risque d'explosion.
- Ne pas aspirer avec l'appareil des gazes combustibles, acides ou solvants non dilués.  
Ces-ci sont essence, dilutif de couleurs ou fuel, qui peuvent former des mélanges explosives en touillant avec l'air d'aspiration. Ne pas utiliser d'acétone, d'acides ou de solvants non dilués, du fait de leur effet corrosif sur les matériaux constituant l'appareil.
- L'appareil n'est autorisé au fonctionnement que sur des surfaces ayant la pente maximale indiquée dans les « Caractéristiques techniques ».

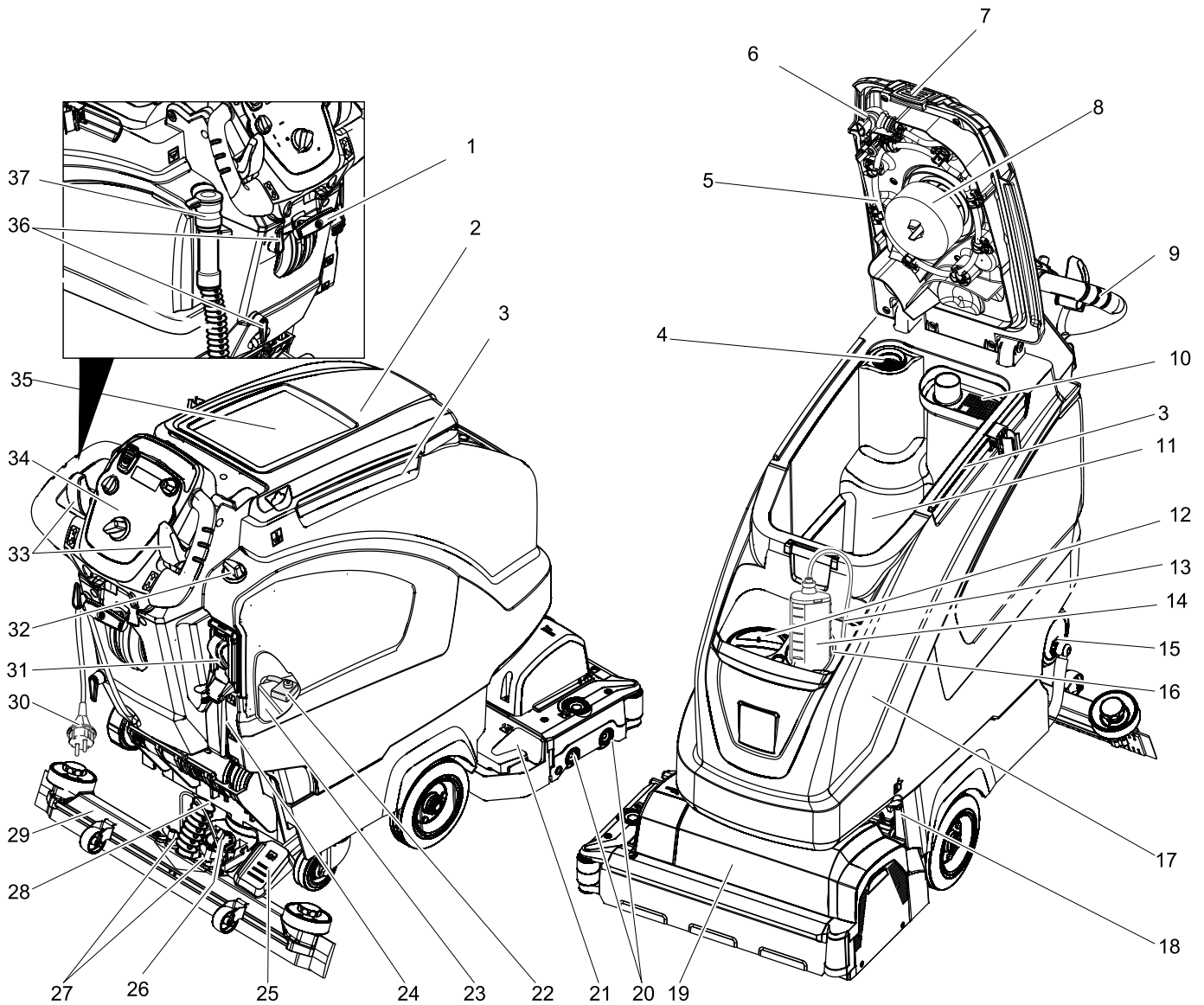
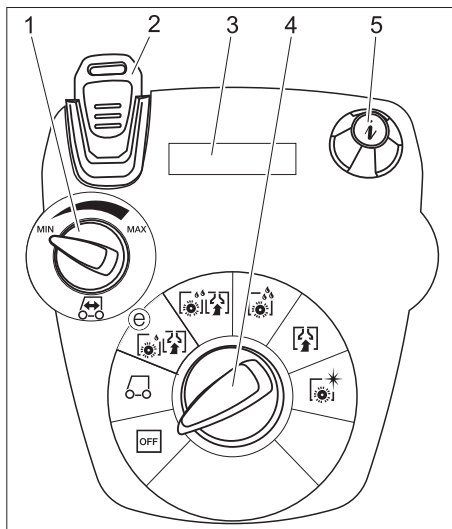


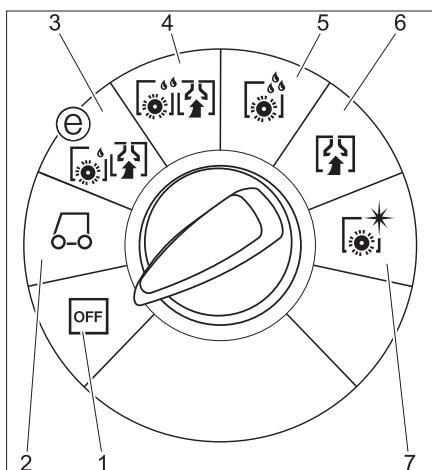
Figure Autolaveuse

- |  |  |   |
|--|--|---|
| <p>1 Levier pour abaisser la barre d'aspiration</p> <p>2 Couvercle du réservoir d'eau sale</p> <p>3 Rail de maintien pour la base fixe</p> <p>4 Crible à peluches</p> <p>5 Réservoir d'eau sale du système de rinçage (option)</p> <p>6 Fermeture flexible du système de rinçage (option)</p> <p>7 Verrouillage du réservoir d'eau sale</p> <p>8 Flotteur</p> <p>9 Guidon de poussée</p> <p>10 Tamis de saletés grossières</p> <p>11 Réservoir d'eau sale</p> <p>12 Orifice de remplissage pour réservoir d'eau propre</p> <p>13 Flexible d'aspiration de détergent (uniquement variante boîte)</p> <p>14 Bouteille de détergent (uniquement variante boîte)</p> <p>15 Fermeture du réservoir d'eau propre avec filtre</p> <p>16 Support de la bouteille de détergent</p> <p>17 Réservoir d'eau propre</p> | <p>18 Verrouillage du réservoir maintenu en plus par une tôle et une vis</p> <p>19 Tête de nettoyage (illustration symbolique) *</p> <p>20 Rouleaux-brosses (variante BR), Disques-brosses (variante BD) *</p> <p>21 Réservoir de saleté grossière (uniquement BR)</p> <p>22 Sécurité de polarisation de la batterie</p> <p>23 Batterie (uniquement variante d'achat groupé)</p> <p>24 Jauge de niveau d'eau propre</p> <p>25 Pédale pour relever/abaisser les têtes de nettoyage</p> <p>26 Poignée rotative pour incliner la barre d'aspiration</p> <p>27 Ecrous-papillon pour fixer la barre d'aspiration</p> <p>28 Flexible d'aspiration</p> <p>29 Barre d'aspiration *</p> <p>30 Câble de raccordement pour chargeur (uniquement variante d'achat groupé)</p> <p>31 Remplissage automatique du récipient d'eau propre (option)</p> | <p>32 Bouton de régulation pour la quantité d'eau</p> <p>33 Levier de conduite (B 40 W Bp) Commutateur de sécurité (B 40 C Bp)</p> <p>34 Pupitre de commande</p> <p>35 Surface de dépose pour le kit de nettoyage « Homebase Box »</p> <p>36 Crochet de câble</p> <p>37 Flexible de vidange de l'eau sale avec dispositif de dosage</p> <p>* pas comprise dans l'étendue de livraison</p> <p><b>Repérage de couleur</b></p> <ul style="list-style-type: none"> <li>- Les éléments de commande pour le processus de nettoyage sont jaunes.</li> <li>- Les éléments de commande pour la maintenance et l'entretien sont en gris clair.</li> </ul> |
|--|--|---|



- 1 Bouton pivotant vitesse du véhicule (seulement B 40 W)
- 2 Intelligent Key  
jaune - opérateur  
gris - préparateur
- 3 Ecran
- 4 Bouton sélecteur de programme
- 5 Bouton Info

**Bouton sélecteur de programme**



- 1 **OFF**  
Appareil hors circuit.
- 2 **Mode transport**  
(seulement B 40 W)  
Déplacer l'appareil vers le lieu d'utilisation.
- 3 **Mode Eco**  
Nettoyage humide du sol (avec vitesse de brosse réduite) et aspiration d'eau sale (avec puissance d'aspiration réduite).
- 4 **Mode normal**  
Nettoyage humide du sol et aspiration de l'eau sale.
- 5 **Mode intensif**  
Nettoyage humide du sol et laisser agir le détergent.
- 6 **Mode aspiration**  
Aspirer la saleté.
- 7 **Mode polissage**  
Polir le sol sans appliquer de liquide.

**Avant la mise en service**

**Montage des brosses**

**Variante BD**

La brosse rotative doit être mise en place avant la première opération (voir « Maintenance »).

**Variante BR**

Les brosses sont montées.

**Monter les batteries**

Monter les batteries (cf. "Entretien et maintenance / mettre les batteries en place et les raccorder").

**Régler la courbe caractéristique de chargement**

Avant la première mise en service, après une réinitialisation de maintenance ou en cas de changement pour un autre type de batterie, la courbe caractéristique de chargement doit impérativement être réglée.

- Utiliser l'Intelligent Key grise.
- Régler la courbe caractéristique de chargement (cf. chapitre "Réglage de l'Intelligent Key grise/Courbe caractéristique de chargement").

**Utilisation de batteries d'autres fabricants**

Nous recommandons l'utilisation de nos batteries, comme décrit au chapitre "Entretien et maintenance / Batteries recommandées".

**Remarque**

En cas d'utilisation d'une autre batterie (ex. : d'un autre fabricant), le dispositif de protection anti-décharge complète doit être de nouveau réglé par le service après-vente Kärcher et ce, pour chaque batterie.

**Chargement de la batterie**

**Remarque**

L'appareil dispose d'un dispositif de protection anti-décharge, c'est-à-dire que le minimum admissible de capacité est atteint, le moteur de brosses et les turbines s'arrêtent.

- Amener immédiatement l'appareil à la station de charge en évitant les pentes.

**⚠ Danger**

Risque de décharge électrique Respecter la tension du réseau et la protection par fusible indiquée sur la plaquette de type de l'appareil.

Utiliser le chargeur seulement dans des pièces sèches et suffisamment aérée !

**Processus de charge**

Le temps de charge s'élève en moyenne à environ 10-15 heures.

Le chargeur installé dispose d'un réglage électronique et est prévu pour toutes les batteries recommandées ; le chargement se termine de façon autonome.

La batterie mise en place est indiquée à l'écran lors du chargement ; si ça n'est pas le cas, la courbe caractéristique de chargement doit être sélectionnée (cf. "Régler la courbe caractéristique de chargement").

L'appareil ne peut pas être utilisé pendant le chargement.

**Remarque relative au premier chargement**

Lors du premier chargement, la commande ne détecte pas encore le type de batterie installé. Chargez les batteries jusqu'à ce que l'affichage Chargement terminé apparaisse.

**⚠ Danger**

Risque d'explosion !

Avant le **chargement des batteries nécessitant peu d'entretien**, le réservoir doit être basculé vers le bas (cf. chapitre "Mise en place et raccordement des batteries"). Cela évitera la création de gaz nocifs pendant le chargement sous le réservoir.

Tout type de nettoyage à l'eau est interdit pendant que le réservoir à eau est relevé. L'élévation du réservoir d'eau est supprimée lors du **chargement des batteries nécessitant peu d'entretien**.

- Brancher la fiche secteur du câble de raccordement dans la prise. Le processus de chargement commence.

**Remarque** : La batterie sélectionnée est indiquée lors du chargement.

- Le chargement dure jusqu'à l'affichage Chargement terminé.

**Batteries pour service à maintenance réduite (batteries humides)**

**⚠ Avertissement**

Risque de brûlure!

- Des fuites d'acide peuvent survenir lors du remplissage de la batterie déchargée.
- Porter impérativement des lunettes de protection lors de toute manipulation d'acide de batterie et respecter les consignes afin d'éviter les blessures et l'endommagement des vêtements.
- En cas de projection d'acide sur la peau ou les vêtements, rincer immédiatement et abondamment à l'eau.

**Attention**

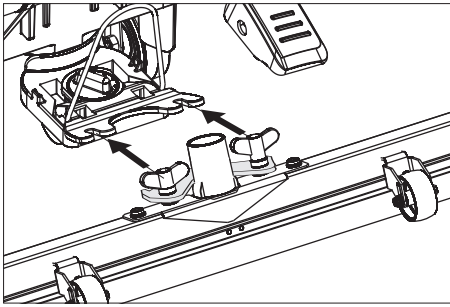
Risque d'endommagement!

- Pour remplir la batterie, utiliser uniquement de l'eau distillée ou dessalée (EN 50272-T3).
- N'employer aucun additif (produit dit d'amélioration) sous peine d'annulation de toute garantie.
- Ne remplacer les batteries que par des batteries du même type. Sinon, la ligne caractéristique de charge doit être de nouveau réglée par le service après-vente.



## Montage de la barre d'aspiration

- Poser les barres d'aspiration dans la suspension de la barre d'aspiration que la tôle profilée se trouve au-dessous de la suspension.
- Serrer à fond les écrous-papillons.



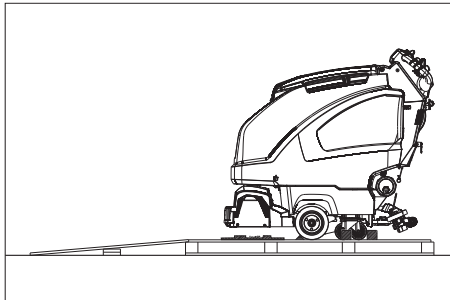
- Emmancher le flexible d'aspiration.

## Déchargement de la machine

### **⚠ Danger**

Risque de blessure. Retirer l'Intelligent Key pour une mise hors service immédiate de toutes les fonctions.

- Mettre et brancher les batteries (cf. "Avant la mise en service").
- Poser les longues planches latérales d'emballage sur la palette pour qu'elles servent de rampe de descente.



- Clouer la rampe sur la palette.
- Poser les planches courtes sous la rampe pour qu'elles servent d'appui.
- Retirer les listeaux en bois figurant devant les roues.
- Appuyer sur la pédale vers le bas pour soulever la tête de nettoyage. Retirer le cartonnage de la tête de nettoyage R.

### **B 40 C Bp**

- Descendre l'appareil de la palette en le poussant sur la rampe.

### **B 40 W Bp**

- Insérer l'Intelligent Key.
- Tourner le sélecteur de programme en mode transport.
- Actionner le levier de direction et faire descendre doucement l'appareil sur la rampe.
- Retirer l'Intelligent Key.

## Fonctionnement

### **⚠ Danger**

Risque de blessure. Ne toujours appuyer sur la pédale de levage/abaissement de la tête de nettoyage que d'un pied. L'autre pied doit rester bien appuyé au sol. En cas de danger, relâcher le commutateur de sécurité/levier de conduite.

### Conduite avec assistance moteur (seulement B 40 W Bp)

#### **Attention**

Risque d'endommagement. Pour la marche en arrière, la barre d'aspiration doit être relevée.

#### **Remarque**

Lorsque la tête de brosse dépasse à la côté droite, l'appareil est bien installé. Ce-ci permet un travail clair et prêt de la bord.

- Insérer l'Intelligent Key.
- Présélectionner la vitesse sur le bouton rotatif de la vitesse de conduite.
- Mettre le sélecteur de programme en position mode transport.
- Déplacer la balayeuse.  
Marche avant :  
Appuyer le levier de direction en avant.  
Marche arrière :  
Appuyer le levier de direction en arrière.

#### **Remarque**

La balayeuse se bouge seulement, lorsque le levier de direction bouge à 15°.

- Immobiliser la machine: Lâcher le levier de direction.

## Remplissage de carburant

### **Eau propre**

- Ouvrir le verrouillage du réservoir d'eau propre.
- Remplir eau propre (maximale 122 °F / 50 °C) jusqu'au limite inférieure du col de remplissage.
- Fermer le verrouillage du réservoir d'eau propre.

### **Avec remplissage automatique du réservoir d'eau propre (option)**

- Relier le flexible avec le système de remplissage automatique et ouvrir l'arrivée d'eau (maximum 122 °F / 50 °C, maximum 72.5 psi / 5 bar).
- Surveiller l'appareil, le système de remplissage automatique interrompt l'arrivée d'eau lorsque le réservoir est plein.
- Fermer l'arrivée d'eau et retirer de nouveau le flexible de l'appareil.

### **Produit détergent**

#### **⚠ Avertissement**

Risque d'endommagement. Utiliser uniquement les détergents recommandés. Pour tout autre détergent, l'exploitant prend des risques plus élevés quant à la sécurité du travail et au risque d'accident. Utiliser uniquement des détergents exempts de solvants, d'acide chlorhydrique et fluorhydrique. Respecter les consignes de sécurité figurant sur les détergents.

### **Remarque**

Ne jamais utiliser de détergents extrêmement moussants.

### **Détergents recommandés :**

Application	Produit détergent
Nettoyage d'entretien de tous les sols résistants à l'eau	RM 746 RM 780
Nettoyage d'entretien de surfaces brillantes (par exemple du granite)	RM 755 es
Nettoyage d'entretien et nettoyage minutieux de sols dans le secteur industriel	RM 69 ASF
Nettoyage d'entretien et nettoyage minutieux de carrelages en grès cérame fin	RM 753
Nettoyage d'entretien de carrelages dans le secteur sanitaire	RM 751
Nettoyage et désinfection dans le secteur sanitaire	RM 732
Enlèvement d'une couche sur tous les sols résistants aux alcalis (par exemple PVC)	RM 752
Enlèvement d'une couche sur des sols en linoléum	RM 754

### **Version avec dispositif de dosage (DOSE, option)**

À la tête de nettoyage, à l'eau propre est ajoutée par le dispositif de dosage le détergent.

#### **Remarque**

Le dispositif de dosage permet d'ajouter au maximum 3% de détergent. Si la quantité de détergent doit être plus élevée, il faut remplir le détergent dans le réservoir d'eau propre.

- Mettre la bouteille avec le détergent dans le support.
- Dévisser le couvercle de la bouteille.
- Mettre le flexible d'aspiration du dispositif de dosage dans la bouteille.

#### **Remarque**

Dans le cas où le réservoir d'eau propre est vide, l'ajout de détergent est arrêté. La tête de nettoyage continue son travail sans ajouter de liquide.

### **Versions sans dispositif de dosage**

- Ajouter du détergent dans le réservoir d'eau propre.

## Réglage de la quantité d'eau

- Régler la quantité d'eau correspondant à la salissure du sol au bouton de réglage.

#### **Remarque**

Effectuer des premières essais de nettoyage avec une faible quantité d'eau. Augmenter peu à peu la quantité d'eau jusqu'à ce que est attendu le résultat souhaité de nettoyage.

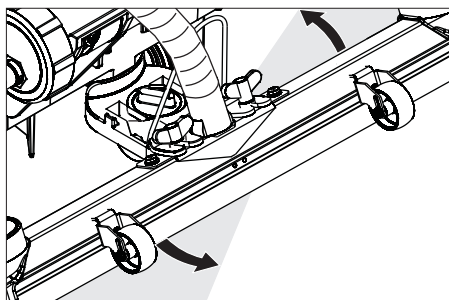
La pompe de détergent du dispositif de dosage ne fonctionne qu'à partir d'une quantité d'eau minimum.

## Réglage de la barre d'aspiration

### Position inclinée

Pour améliorer le résultat de l'aspiration sur des revêtements carrelés, il est possible de tourner la barre d'aspiration jusqu'à une position inclinée de 5°.

- Desserrer les vis papillon.
- Tourner la barre d'aspiration.



- Serrer les vis à ailettes.

### Inclinaison

Si le résultat de l'aspiration n'est pas suffisant, il est possible de modifier le degré d'inclinaison de la barre d'aspiration.

- Poignée rotative pour incliner la barre d'aspiration.

## Réglage des paramètres

### Avec Intelligent Key jaune

Les paramètres pour les divers programmes de nettoyage sont pré-réglés dans l'appareil.

En fonction de l'autorisation de l'Intelligent Key jaune, des paramètres individuels peuvent être modifiés.

Au cas où les paramètres devraient être modifiés définitivement, une Intelligent Key grise doit être utilisée pour le paramétrage. Le paramétrage est décrit au chapitre « Intelligent Key grise ».

### Remarque :

Presque tous les textes sur l'écran pour le réglage des paramètres sont auto-explicatifs. Le paramètre FACT constitue l'exception confirmant la règle :

- Fine Clean : Rotation faible de la brosse pour éliminer voilage sur grès cérame fin.
  - Whisper Clean : Rotation moyenne de la brosse pour le nettoyage d'entretien avec un niveau sonore réduit.
  - Power Clean : Rotation élevée de la brosse pour polir, cristalliser et balayer.
- Tourner le sélecteur de programme sur le programme de nettoyage souhaité.
  - Tourner le bouton Info, jusqu'à ce que le paramètre voulu soit affiché.
  - Appuyer sur le bouton Info - la valeur réglée clignote.
  - Régler la valeur voulue en tournant le bouton Info.
  - Confirmer les modifications en appuyant sur le bouton Info ou attendre 10 secondes afin que la valeur paramétrée soit appliquée automatiquement.

## Nettoyage

### Attention

*Risque d'endommagement pour le revêtement de sol. Ne pas exploiter l'appareil sur place.*

- Tourner le sélecteur de programme sur le programme de nettoyage souhaité.

### Abaisser la tête de nettoyage

- Presser légèrement la pédale vers le bas pour abaisser la tête de nettoyage, puis la mouvoir vers la gauche. La pédale est ainsi déverrouillée. Relâcher lentement la pédale. La barre d'aspiration est abaissée.

### Remarque

*En cas d'arrêt de la machine et de surcharge, le moteur de brosse s'arrête.*

### Abaisser la barre d'aspiration

- Tirer le levier et le presser vers le bas pour abaisser la barre d'aspiration.

### Remarque

*Pour nettoyer des sol avec carrelage, régler la barre droite d'aspiration de cette manière, que le nettoyage s'effectue dans un angle droit aux joints.*

*Régler la position inclinée et la dent de la barre d'aspiration, pour obtenir une amélioration du résultat d'aspiration (cf. "Régler les barres d'aspiration").*

**Dès que le bac d'eau sale est plein, le flotteur ferme l'ouverture d'aspiration et la vitesse de rotation de la turbine augmente. Dans ce cas, désactiver l'aspiration et se déplacer pour vider le bac d'eau sale.**

## Arrêt et mise hors marche de l'appareil

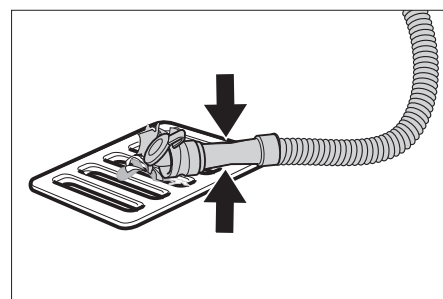
- Fermer le bouton de réglage pour régler la quantité d'eau.
- Relâcher le levier de conduite/commutateur de sécurité.
- Positionner le sélecteur de programme sur aspirer.
- Relever la tête de nettoyage.
- Avancer brièvement en avant et aspirer la quantité résiduelle d'eau.
- Soulever la barre d'aspiration. La turbine d'aspiration travaille encore 10 secondes pour aspirer l'eau résiduelle des barres d'aspiration et du flexible d'aspiration.
- Retirer l'Intelligent Key.
- En cas échéant, recharger la batterie.

## Vider l'eau sale

### ⚠ Avertissement

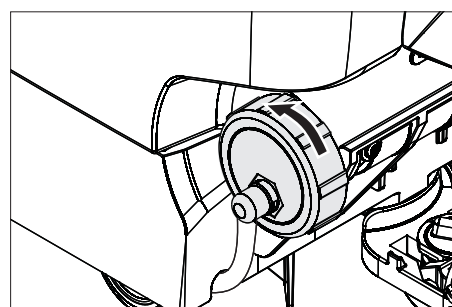
*Tenir compte des prescriptions locales pour le traitement des eaux usées.*

- Sortir le flexible de vidange du dispositif de maintien et l'abaisser au-dessus d'un collecteur approprié.



- Compresser ou plier le dispositif de dosage.
- Ouvrir le couvercle du dispositif de dosage.
- Laisser s'écouler l'eau sale - régler la quantité d'eau par une pression ou un pli.
- Rincer le réservoir d'eau sale à l'eau claire ou le nettoyer à l'aide du système de rinçage du réservoir d'eau sale (option).

## Vider l'eau propre



- Retirer entièrement le couvercle pour un vidage rapide.
- Pour rincer le réservoir d'eau propre, retirer complètement le couvercle du réservoir d'eau propre et retirer le filtre d'eau propre.

## Intelligent Key grise

- Insérer l'Intelligent Key.
- Sélectionner la fonction voulue en tournant le bouton Info.

Chacune des fonctions est décrite par la suite.

### Menu clé >>

Dans ce point de menu, les autorisations sont délivrées pour l'Intelligent Key jaune.

- Appuyer sur le bouton Info pendant l'affichage « Menu clé >> ».
- Retirer l'Intelligent Key grise et insérer l'Intelligent Key jaune à programmer.
- Sélectionner le point de menu à modifier en tournant le bouton Info.
- Appuyer sur le bouton Info.
- Sélectionner le réglage du point de menu en tournant le bouton Info.
- Confirmer le réglage en appuyant sur le point du menu.
- Sélectionner le point de menu suivant à modifier en tournant le bouton Info.
- Pour enregistrer les autorisations, appeler le menu « sauvegarder réglages en tournant le bouton Info et en appuyant sur le bouton Info.
- Pour quitter le menu, appeler « Quitter menu » en tournant le bouton info et en appuyant sur le bouton Info.

## Cleaning App >>

Les paramètres réglés à l'aide de l'Intelligent Key gris restent inchangés, jusqu'à ce qu'un autre réglage soit sélectionné.

- Tourner le sélecteur de programme sur le programme de nettoyage souhaité.
- Tourner le bouton Info jusqu'à l'affichage de « Cleaning App >> ».
- Appuyer sur le bouton Info – le premier paramètre réglable est affiché.
- Appuyer sur le bouton Info - la valeur réglée clignote.
- Régler la valeur voulue en tournant le bouton Info.
- Confirmer les modifications en appuyant sur le bouton Info ou attendre 10 secondes afin que la valeur paramétrée soit appliquée automatiquement.
- Sélectionner le paramètre suivant en tournant le bouton Info.
- Après la modification de tous les paramètres voulus, tourner le bouton Info jusqu'à l'affichage de « Quitter menu ».
- Appuyer sur le bouton Info pour quitter le menu.

## Régler la langue

- Appuyer sur le bouton Info - la valeur réglée clignote.
- Régler la langue voulue en tournant le bouton Info.
- Confirmer les modifications en appuyant sur le bouton Info ou attendre 10 secondes afin que la valeur paramétrée soit appliquée automatiquement.

## Postfonctionnement de la brosse

Régler la durée de postfonctionnement des brosses.

- Réglage comme « réglage langue ».

## Régler la courbe caractéristique de chargement

- Tourner le bouton Info jusqu'à ce que la fonction "menu Batterie" s'affiche.
- Appuyer sur le bouton Info - Sélectionner la courbe caractéristique de chargement correspondant les batteries mises en place.

**Remarque :** Le réglage de la courbe caractéristique de chargement doit uniquement être effectué uniquement après discussion avec le service après-vente Kärcher. En particulier si la batterie n'est pas mentionnée dans le menu.

- Confirmer les modifications en appuyant sur le bouton Info ou attendre 10 secondes afin que la valeur paramétrée soit appliquée automatiquement.

## LOAD DEFAULT

Restaurer les réglages de base.

## Transport

### ⚠ Danger

*Risque de blessure ! L'appareil ne doit être exploité que pour le chargement et le déchargement sur des pentes jusqu'à concurrence de la valeur maxi (voir « Caractéristiques techniques »). Rouler lentement.*

### Attention

*Risque de blessure et d'endommagement ! Respecter le poids de l'appareil lors du transport.*

- Relever la tête de nettoyage pour empêcher le dommage des brosses.
- Retirer la brosse pour éviter qu'elle ne se détériore.
- Sécuriser l'appareil contre les glissements ou les basculements selon les directives en vigueur lors du transport dans des véhicules.

## Entreposage

### Attention

*Risque de blessure et d'endommagement ! Prendre en compte le poids de l'appareil à l'entreposage.*

Cet appareil doit uniquement être entreposé en intérieur.

## Entretien et maintenance

### ⚠ Danger

*Risque de blessure ! Avant d'effectuer toute opération sur l'appareil, retirer l'Intelligent Key et débrancher la fiche secteur du chargeur.*

- Vider et éliminer l'eau sale et le reste d'eau propre.

## Plan de maintenance

### Fréquence de maintenance

Les travaux de nettoyage recommandés sont indiqués sur l'écran à des intervalles de nettoyage définis.

- Si l'affichage correspondant apparaît, effectuer le travail de maintenance.
- Appuyer sur le bouton Info ; l'affichage est remis à zéro. L'affichage réapparaît après des intervalles de temps prédéfinis.

Affichage de l'écran	Afficher tout
Nettoyer la barre d'aspiration	20 heures
Nettoyer le tamis à peluches	20 heures
Nettoyer le filtre à eau	50 heures
Vérifier les lèvres d'aspiration	100 heures
Vérifier les brosses	100 heures
Réinitialisation de maintenance	200 heures

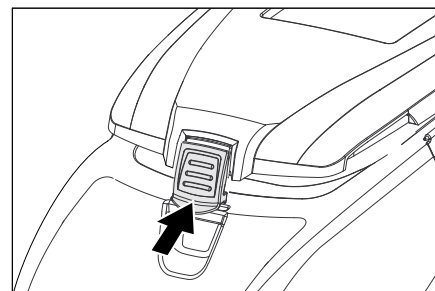
**Remarque :** Une réinitialisation de maintenance remet également à zéro tous les intervalles de maintenance.

### Après chaque mise en service

#### Attention

*Risque d'endommagement. Ne pas laver l'appareil au jet d'eau et ne jamais utiliser de détergents agressifs.*

- Vider l'eau sale.
- Rincer le réservoir d'eau sale à l'eau claire ou le nettoyer à l'aide du système de rinçage du réservoir d'eau sale (option).
- Retirer le tamis de saletés grossières du réservoir d'eau sale et le nettoyer.
- Nettoyer l'extérieur de l'appareil avec un chiffon humide et imbibé de détergent doux.
- Contrôler le tamis à peluches et le cas échéant, le nettoyer.
- Uniquement variante BR: Retirer et vider le réservoir de saletés grossières.
- Nettoyer les lèvres d'aspiration et les lèvres d'enlèvement, puis contrôler leur degré d'usure et le cas échéant, les nettoyer.
- Contrôler le degré d'usure des brosses et le cas échéant, les remplacer.
- Presser la fermeture du réservoir d'eau sale vers l'intérieur et fermer le couvercle du réservoir d'eau sale jusqu'à ce qu'une fente reste ouverte pour le séchage.



- Charger la batterie :  
Si l'état de charge est inférieur à 50 %, recharger la batterie intégralement et sans interruption.  
Si l'état de charge est supérieur à 50 %, ne recharger la batterie que si l'entière autonomie est requise lors de la prochaine utilisation.

### Hebdomadairement

- En cas d'utilisation régulière, recharger la batterie intégralement au moins une fois par semaine et sans interruption.

### Mensuellement

- Vérifier si les pôles de la batterie sont oxydés, les brosser le cas échéant. S'assurer que les câbles de raccordement sont bien branchés.
- Nettoyer les joints entre le réservoir d'eau sale et le couvercle et vérifier s'ils sont étanches, en cas de besoin remplacer.
- Contrôler en cas de batteries avec maintenance la concentration de l'acide des cellules.
- Nettoyer le tunnel des brosses (uniquement variante BR).



- En cas de période d'arrêt prolongée, n'arrêter l'appareil que lorsque les batteries sont entièrement rechargées. Recharger entièrement la batterie au moins une fois par mois.

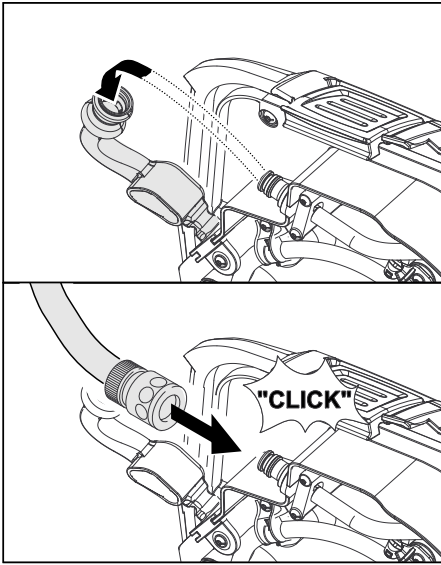
#### Tous les ans

- L'inspection prescrite doit être effectuée par le service après-vente.

### Travaux de maintenance

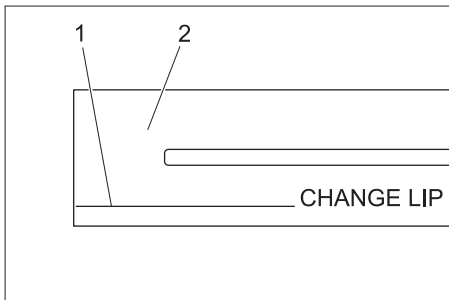
#### Réservoir d'eau sale du système de rinçage (option)

- Vider l'eau sale ; cf. section "Vider l'eau sale".
- Ouvrir le couvercle du réservoir d'eau sale.
- Retirer la fermeture flexible du système de rinçage.
- Relier le flexible d'eau au système de rinçage.



- Fermer le couvercle du réservoir d'eau sale jusqu'à ce qu'il repose bien sur la fermeture flexible.
- Ouvrir l'arrivée d'eau et rincer le réservoir d'eau sale pendant 30 secondes environ. Répéter l'opération de rinçage 2 à 3 fois, si nécessaire.
- Fermer l'arrivée d'eau et retirer de nouveau le flexible de l'appareil.
- Enfiler à nouveau la fermeture flexible sur le raccordement. Laisser un espace d'ouverture au niveau du couvercle du réservoir d'eau sale pour le séchage.

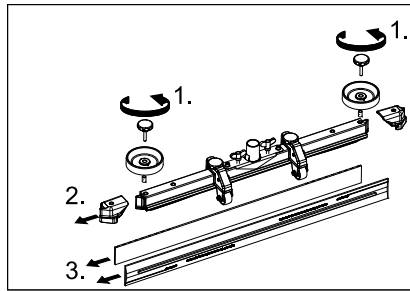
#### Échanger ou tourner les lèvres d'aspiration



- 1 Marque d'usure
- 2 Lèvre d'aspiration

Les lèvres d'aspiration doivent être remplacées ou retournées si elles sont usées jusqu'au niveau de la marque d'usure.

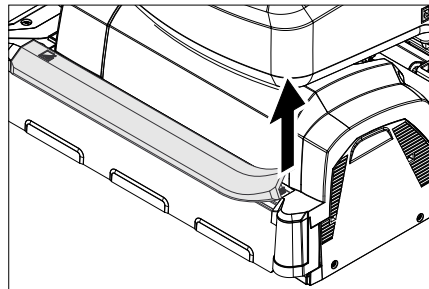
- Retirer la brosse d'aspiration.
- Dévisser le bouton cannelé.



- Retirer les pièces plastiques.
- Retirer les lèvres d'aspiration.
- Mettre de nouvelles lèvres d'aspiration en place ou retourner les anciennes.
- Mettre en place des pièces plastiques.
- Visser et serrer les boutons cannelés.

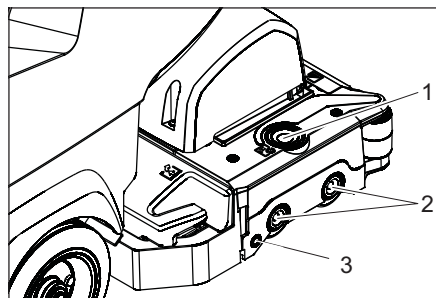
#### Nettoyer la rigole de distribution d'eau

- Retirer la barre de caoutchouc et nettoyer la rigole avec un chiffon. Presser à nouveau et en même temps la barre de caoutchouc après le nettoyage.



#### Remplacement des rouleaux-brosses

- Relever la tête de nettoyage.

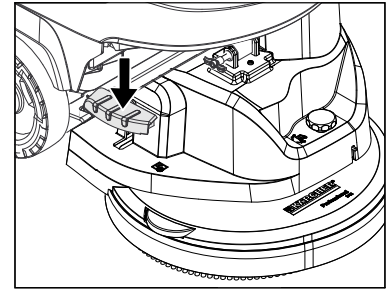


- 1 Touche de déverrouillage du chapeau de palier
- 2 Brosses
- 3 Bouton poussoir

- Appuyer sur la touche de déverrouillage du chapeau de palier.
  - Écarter le chapeau de palier.
  - Retirer les rouleaux-brosses.
- Remarque** : Remplacer les brosses-rouleaux si la longueur de poil a atteint 10 mm.
- Mettre de nouvelles brosses rotatives en place.
  - Remettre le chapeau de palier en place et le freiner à l'aide du bouton poussoir.

#### Remplacement du disque-brosse

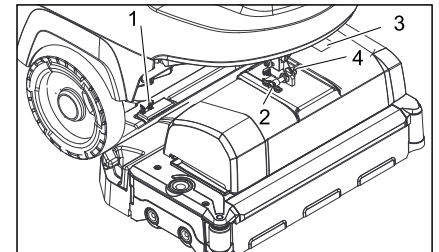
- Relever la tête de nettoyage.
- Presser la pédale pour changer les brosses contre la résistance par le bas.



- Sortir le disque-brosse latéralement sous la tête de nettoyage.
- Maintenir le nouveau disque-brosse sous la tête de nettoyage, pousser vers le haut et enclencher.

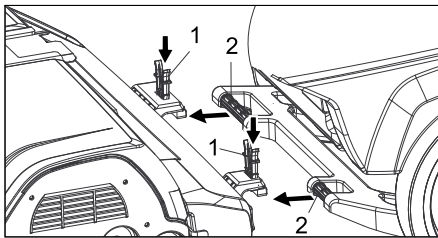
#### Monter une tête de nettoyage

- Pousser l'appareil de 2 m environ vers l'avant, de sorte que les roulettes soient dirigées vers l'arrière.
- Presser légèrement la pédale vers le bas pour abaisser la tête de nettoyage, puis la mouvoir vers la gauche. La pédale est ainsi déverrouillée. Relâcher lentement la pédale. Le bras mobile de la tête de nettoyage se déplace vers le bas.
- Vider le réservoir d'eau propre et le réservoir d'eau sale.
- Desserrer le verrouillage du réservoir et relever le réservoir.



- 1 Élément à ressort
- 2 Goupille de retenue
- 3 Capot de la boîte à bornes
- 4 Cran d'arrêt goupille de retenue

- Poser la tête de nettoyage au centre devant l'appareil.
- Retirer le capot de la boîte à bornes.
- Connecter le câble d'alimentation de la tête de nettoyage à l'appareil.
- Mettre le capot de la boîte à bornes en place.
- Connecter l'accouplement de tuyau sur la tête de nettoyage avec le flexible sur l'appareil.



- 1 Élément à ressort
- 2 Guidon de poussée

- Pousser l'étrier de poussée dans le logement de la tête de nettoyage.
- Pousser les éléments à ressort vers le bas et les encliquer.
- Orienter le bras mobile de la tête de nettoyage sur le logement, au niveau de la partie supérieure de la tête de nettoyage.
- Insérer la goupille de retenue et l'encliquer.
- **Réglage de la tête de nettoyage** : la régler à l'aide de la vis de réglage à la position souhaitée.
- Pivoter le réservoir d'eau complètement vers le bas, vérifier le verrouillage.

#### Démonter la tête de nettoyage

Le démontage a lieu dans l'ordre inverse au montage.

#### Attention

Lors du démontage de la tête de nettoyage, la position de la machine peut être instable ; veiller à une position sûre. Étayer éventuellement à l'arrière et sécuriser contre le risque de basculement.

### Batteries

Respecter impérativement ces consignes en cas de manipulation des batteries :

	Respecter les consignes situées sur la batterie, dans les instructions de service et dans le mode d'emploi du véhicule
	Porter des lunettes de protection
	Tenir les enfants à l'écart des acides et des batteries
	Risque d'explosion
	Toute flamme, matière incandescente, étincelle ou cigarette est interdite à proximité de la batterie.
	Risque de brûlure
	Premiers soins
	Attention

	Mise au rebut
	Ne pas mettre la batterie au rebut dans le vide-ordures

#### ⚠ Danger

Risque d'explosion. Ne jamais déposer d'outils ou d'objets similaires sur les bornes et les barrettes de connexion de la batterie. Risque de blessure. Ne jamais mettre en contact des plaies avec le plomb. Prendre soin de toujours se laver les mains après avoir manipulé la batterie.

#### Batteries recommandées B 40

N° de réf.	Description	
6.654-141.0 <sup>1)</sup>	105 Ah - sans entretien	12 V*
6.654-093.0 <sup>2)</sup>	70 Ah - sans entretien	12 V*
6.654-097.0 <sup>3)</sup>	80 Ah - sans entretien	12 V*

\* L'appareil nécessite 2 batteries

<sup>1)</sup> Jeu complet (24 V/105 Ah), câble de raccordement compris, référence 4.035-449.0

<sup>2)</sup> Jeu complet (24 V/70 Ah), câble de raccordement compris, référence 4.035-447.0

<sup>3)</sup> Jeu complet (24 V/80 Ah), câble de raccordement compris, référence 4.035-450.0

<sup>3)</sup> Jeu complet (24 V/80 Ah), câble de raccordement compris, référence 4.035-450.0

<sup>3)</sup> Jeu complet (24 V/80 Ah), câble de raccordement compris, référence 4.035-450.0

#### Montage et branchement de la batterie

- Pousser l'appareil de 2 m environ vers l'avant, de sorte que les roulettes soient dirigées vers l'arrière.
- Vider la tête de nettoyage.
- Vider le réservoir d'eau propre et le réservoir d'eau sale.
- Desserrer le verrouillage du réservoir et relever le réservoir.
- Mettre en place les batteries pour la tête de nettoyage de manière plane dans le compartiment ; mettre les câbles fournis dans le sol pour la fixation.

#### Attention

Lors du démontage et du remontage des batteries, la position de la machine peut être instable ; veiller à une position sûre.

→ Brancher le câble de raccordement ci-joint aux bornes de batterie encore libres (+) et (-).

→ Connecter les bornes avec le câble de raccordement ci-joint.

#### ⚠ Avertissement

Veiller à respecter les polarités appropriées.

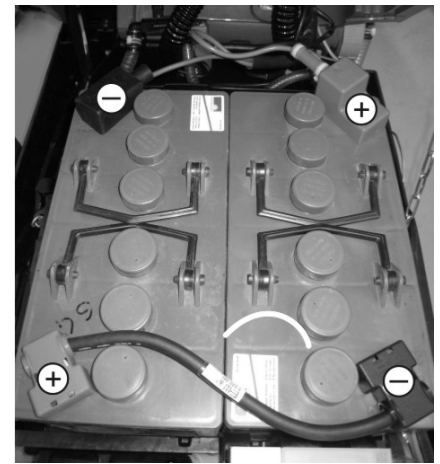


Schéma de montage pour 2 batteries

- Pivoter le réservoir d'eau complètement vers le bas, vérifier le verrouillage.

#### Remarque

Charger les batteries avant de mettre l'appareil en service.

Cf. section "Charger les batteries".

### Démonter les batteries

#### Attention

Risque d'endommagement à la suite du basculement de l'appareil. Ne déposer les batteries que lorsqu'une tête de nettoyage est montée sur l'appareil.

- Retirer l'Intelligent Key.
- Pousser l'appareil de 2 m environ vers l'avant, de sorte que les roulettes soient dirigées vers l'arrière.
- Vider la tête de nettoyage.
- Desserrer le verrouillage du réservoir et relever le réservoir.
- Débrancher le câble du pôle moins de la batterie.
- Déconnecter les câbles restants de la batterie
- Retirer les câbles ou les éléments en mousse.
- Sortir les piles.

#### Attention

Lors du démontage et du remontage des batteries, la position de la machine peut être instable ; veiller à une position sûre.

→ Jeter les piles dans le respect des dispositions en vigueur.

### Contrat de maintenance

Afin de pouvoir garantir un fonctionnement fiable de l'appareil, il est possible de conclure des contrats de maintenance avec le bureau de ventes Kärcher responsable.

### Protection antigel

En cas de risque de gel :

- Vider le réservoir d'eau propre et le réservoir d'eau sale.
- Déposer l'appareil dans une pièce à l'abri du gel.



## Pannes

### **⚠ Danger**

Risque de blessure ! Avant d'effectuer toute opération sur l'appareil, retirer l'Intelligent Key et débrancher la fiche secteur du chargeur.

→ Vider et éliminer l'eau sale et le reste d'eau propre.

### Défauts affichés sur l'écran

Affichage de l'écran	Remède
ERR_I_BÜRSTE_049	Vérifier si des corps étrangers bloquent les brosses et le cas échéant, éliminer les corps étrangers.
ERR_I_TURB_050	Contrôler l'encrassement de la turbine d'aspiration, la nettoyer le cas échéant.
ERR_U_BATT_001	Contrôler la batterie, en cas de besoin charger.

Si l'écran indique d'autres messages de défauts ou si le défaut ne peut pas être éliminé :

- Retirer l'Intelligent Key.
- Attendre 10 secondes.
- Insérer l'Intelligent Key.
- Si le défaut apparaît de nouveau, contacter le service après-vente.

### Défauts sans affichage sur l'écran

Panne	Remède
Il est impossible de mettre l'appareil en marche	Stand-by. Mettre l'appareil hors service et enficher à nouveau l'Intelligent Key. Régler le sélecteur de programme sur le programme voulu.
	Contrôler la batterie, en cas de besoin charger.
	Contrôler si les pôles de batterie sont bien raccordés.
Quantité d'eau insuffisante	Contrôler le niveau d'eau propre et en cas de besoin, remplir le réservoir
	Augmenter le débit d'eau au niveau du bouton régulateur de débit d'eau.
	Dévisser le bouchon du réservoir d'eau propre. Retirer et nettoyer le filtre d'eau fraîche. Remettre le filtre en place et visser le bouchon.
	Retirer la barre de répartition d'eau et nettoyer le canal d'eau (uniquement tête de nettoyage R).
Pas de dosage de détergent	Contrôler si les flexibles sont bouchés, en cas de besoin nettoyer.
	Augmenter le débit d'eau pour activer la pompe de dosage.
Puissance d'aspiration insuffisante	Vérifier le niveau du détergent
	Nettoyer les joints entre le réservoir d'eau sale et le couvercle et vérifier s'ils sont étanches, en cas de besoin remplacer.
	Le bac d'eau sale est plein, mettre l'appareil haute tension et vider le bac d'eau sale.
	Nettoyer le tamis à peluches.
	Nettoyer les lèvres d'aspiration sur la barre d'aspiration et en cas de besoin remplacer.
	Contrôler si les flexibles d'aspiration sont bouchés, en cas de besoin nettoyer.
	Contrôler si les flexibles d'aspiration sont étanches et en cas de besoin remplacer.
	Vérifier si le couvercle sur le flexible de vidange d'eau sale est fermé.
Vérifier le réglage de la barre d'aspiration.	
Résultat de nettoyage insuffisant	Contrôler le degré d'usure des brosses et le cas échéant, les remplacer.
Les brosses ne se tournent pas	Contrôler le degré d'usure des brosses et le cas échéant, les remplacer.
	Vérifier si des corps étrangers bloquent les brosses et le cas échéant, éliminer les corps étrangers.
Vibrations lors du nettoyage	Lorsque le contacteur de surintensité s'est déclenché dans le système électronique, tourner le sélecteur de programme sur « OFF », puis régler de nouveau le programme voulu.
	Utiliser éventuellement des brosses plus douces.
<b>En cas de pannes ne pouvant pas être résolues grâce aux instructions de ce tableau, appeler le service après-vente.</b>	

## Accessoires B 40

### Appareils BR B 40 (brosses rotatives, accessoires)

Désignation	Référence Largeur de travail 450 mm	Référence Largeur de travail 550 mm	Description	Unité de conditionnement	L'appareil nécessite
Brosse d'aération, rouge (moyenne, standard)	4.762-392.0	4.762-393.0	Aussi pour un nettoyage des sol plus sales.	1	2
Brosse d'aération, blanche (douce)	4.762-405.0	4.762-409.0	Pour le polissage et nettoyage des sols sensibles.	1	2
Brosse d'aération, orange (haut/bas)	4.762-406.0	4.762-410.0	Pour frotter des sols structurés (carrelage de protection etc.).	1	2
Brosse d'aération, verte (grit)	4.762-407.0	4.762-411.0	Pour un nettoyage profond des sols très sales et pour décaper (p.ex. cire, acryliques).	1	2
Brosse d'aération, gris ( 1 mm de grit)	4.762-408.0	4.762-412.0		1	2
Rouleau de pad	4.762-413.0	4.762-415.0	Pour la réception de pads de rouleau.	1	2
Pad de rouleau, blanc (très doux)	6.367-108.0	6.369-735.0	Pour le nettoyage et le polissage des sols sensibles.	1	2
pad de rouleau, jaune (doux)	6.367-105.0	6.369-732.0	Pour le polissage des sols.	1	2
Pad de rouleau, rouge (moyen)	6.367-107.0	6.369-734.0	Pour le nettoyage des sols pas trop sales.	1	2
Pad de rouleau, vert (dur)	6.367-106.0	6.369-733.0	Pour le nettoyage des sols normal ou très sales.	1	2

### Appareils BD B 40 (brosses-disques, accessoires)

Désignation	Référence Largeur de travail 430 mm	Référence Largeur de travail 510 mm	Description	Unité de conditionnement	L'appareil nécessite
Disque-brosse, nature (douce)	4.905-023.0	4.905-027.0	Pour le polissage des sols.	1	1
Disque-brosse, blanche	4.905-024.0	4.905-028.0	Pour le polissage et nettoyage des sols sensibles.	1	1
Disque-brosse, rouge (moyenne, standard)	4.905-022.0	4.905-026.0	Pour le nettoyage des sols pas trop sales ou sensibles.	1	1
Disque-brosse, noire (dure)	4.905-025.0	4.905-029.0	Pour le nettoyage des sols très sales.	1	1
Plateau d'entraînement du pad	4.762-533.0	4.762-534.0	Pour la réception de pads.	1	1

### Appareils BR/BD B 40 (barre d'aspiration, accessoires)

Désignation	Référence Largeur de travail 850 mm	Description	Unité de conditionnement	L'appareil nécessite
Lèvre en caoutchouc, bleu	6.273-213.0	Standard	Paire	1 paire
Lèvre caoutchouc transparente, rainurée	6.273-207.0	résistante à l'huile	Paire	1 paire
Lèvre caoutchouc, transparente	6.273-229.0	Anti-bandes	Paire	1 paire
Lèvre caoutchouc, transparente	6.273-290.0	Pour sols problématiques	Paire	1 paire
Barre d'aspiration, droit	4.777-401.0	Standard	1	1
Barre d'aspiration, courbée	4.777-411.0	Standard	1	1

## Caractéristiques techniques

		Appareil BR B 40		Appareil BD B 40	
		R 45	R 55	D 43	D 51
<b>Performances</b>					
Tension nominale	V	24		24	
Capacité de la batterie	Ah (5h)	70, 80; 105		70, 80; 105	
Puissance absorbée moyenne	W	1400		1400	
Puissance du moteur (puissance nominale) (seulement B 40 W)	W	130		130	
Puissance du moteur d'aspiration	W	500		500	
Puissance de moteur de brosses	W	600		600	
<b>Aspiration</b>					
Puissance d'aspiration, débit d'air (maxi)	l/s	22		22	
	gpm	348		348	
Puissance d'aspiration, dépression (max.)	kPa	12,0		11,5	
	psi	1.74		1.67	
<b>Brosses de nettoyage</b>					
Vitesse des brosses	t/min	600 - 1200		180	
<b>Dimensions et poids</b>					
Surface théoriquement nettoyable	m <sup>2</sup> /h	1800	2200	1800	2200
	sq.ft/h	19000	23700	19000	23700
Pente maximale de la zone de travail	%	2		2	
Volume du réservoir d'eau propre/réservoir d'eau sale	l	40 / 40		40 / 40	
	gal	10.6 / 10.6		10.6 / 10.6	
Température d'eau max.	°C	50		50	
	° F	122		122	
Poids à vide (poids de transport)	kg	164 (avec batteries 105 Ah)		164 (avec batteries 105 Ah)	
	lb.	362 (avec batteries 105 Ah)		362 (avec batteries 105 Ah)	
Poids total (en service)	kg	204 (avec batteries 105 Ah)		204 (avec batteries 105 Ah)	
	lb.	450 (avec batteries 105 Ah)		450 (avec batteries 105 Ah)	
Niveau de pression acoustique L <sub>PA</sub>	dB(A)	68		68	
<b>Sous réserve de modifications techniques !</b>					

### Pièces de rechange

- Utiliser uniquement des accessoires et des pièces de rechange autorisés par le fabricant. Des accessoires et des pièces de rechange d'origine garantissent un fonctionnement sûr et parfait de l'appareil.
- Une sélection des pièces de rechange utilisées le plus se trouve à la fin du mode d'emploi.
- Vous trouverez plus d'informations sur les pièces de rechange dans le menu Service du site [www.kaercher.com](http://www.kaercher.com).

## Índice de contenidos

INSTRUCCIONES IMPORTANTES DE SEGURIDAD . . . . .	ES . . . . .	1
NORMAS Y PRÁCTICAS DE SEGURIDAD PARA EL FUNCIONAMIENTO . . . . .	ES . . . . .	1
MANTENIMIENTO Y PRÁCTICAS DE RECONSTRUCCIÓN . . . . .	ES . . . . .	2
NORMA DE SEGURIDAD CONTRA INCENDIOS . . . . .	ES . . . . .	2
Indicaciones generales . . . . .	ES . . . . .	2
Función . . . . .	ES . . . . .	3
Uso previsto . . . . .	ES . . . . .	3
Elementos de operación y funcionamiento . . . . .	ES . . . . .	4
Antes de la puesta en marcha . . . . .	ES . . . . .	5
Funcionamiento . . . . .	ES . . . . .	6
Detención y apagado . . . . .	ES . . . . .	7
Intelligent Key gris . . . . .	ES . . . . .	7
Transporte . . . . .	ES . . . . .	8
Almacenamiento . . . . .	ES . . . . .	8
Cuidados y mantenimiento . . . . .	ES . . . . .	8
Protección antiheladas . . . . .	ES . . . . .	10
Averías . . . . .	ES . . . . .	11
Accesorio B 40 . . . . .	ES . . . . .	12
Datos técnicos . . . . .	ES . . . . .	13
Piezas de repuesto . . . . .	ES . . . . .	13

## INSTRUCCIONES IMPORTANTES DE SEGURIDAD

### LEA TODAS LAS INSTRUCCIONES ANTES DE UTILIZAR EL PRODUCTO

#### ⚠ ADVERTENCIA

Para evitar el peligro de incendio, descarga eléctrica o heridas:

- NO ABANDONAR la unidad mientras esté enchufada. Desenchufar cuando no esté en uso y antes de revisar.

#### ⚠ ADVERTENCIA

- PARA REDUCIR EL RIESGO DE DESCARGA ELÉCTRICA, USAR SOLO EN INTERIORES
- No permita que se use como juguete. Prestar mucha atención cuando sea usado por y cerca de niños.
- Usar exclusivamente como se describe en este manual. Usar solamente con los complementos recomendados por el fabricante.
- No usar con el cable o la clavija dañados. Si el aparato no funciona como debería, se ha caído al suelo, dañado, dejado al aire libre, o caído al agua, devuélvalo a servicio de atención al cliente.
- No tirar del cable ni transportar el aparato cogido por el cable, no cerrar una puerta sobre el cable, ni pasar el cable por bordes o esquinas afiladas. No pasar el aparato por el cable. Mantener el cable alejado de superficies calientes.

- No tirar del cable para desenchufar el aparato. Para desenchufar, tire de la clavija no del cable.
- No manipular la clavija ni el aparato con las manos mojadas.
- No introducir objetos en los orificios. No usar con cualquiera de los orificios bloqueados; mantener sin polvo, pelusa, pelo y cualquier otra cosa que pueda reducir el flujo de aire.
- Mantener el cabello, la ropa floja, los dedos y todas las partes del cuerpo alejadas de los orificios y partes móviles.
- Apagar los mandos de control antes de desenchufar.
- Usar con especial cuidado cuando limpie escaleras.
- No usar para recoger líquidos inflamables o combustible, como gasolina, ni utilizar el aparato en áreas donde puedan estar presentes.
- Conectar exclusivamente a una toma con puesta a tierra. Consultar las instrucciones de puesta a tierra.

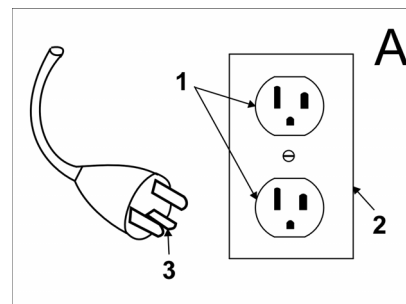
#### Instrucciones de puesta a tierra

Este producto se tiene que poner a tierra. Si funciona mal o si se rompiese, la puesta a tierra proporcionaría un circuito menos resistente a la energía eléctrica para reducir el riesgo de electrochoque. Este producto está equipado con un cable que tiene un conductor a tierra y un enchufe a tierra para el equipo. El enchufe se tiene que enchufar a un tomacorriente adecuado, que esté correctamente instalado y puesto a tierra conforme a todas las normas y reglamentos locales.

#### ⚠ PELIGRO

*Si la conexión del conductor a tierra del equipo es incorrecta puede existir riesgo de electrochoque. En caso de duda, compruebe con ayuda de un electricista cualificado o del personal del servicio técnico que el tomacorriente está correctamente puesto a tierra. No modifique el enchufe proporcionado con el producto; si no encaja en el tomacorriente, pida a un electricista cualificado que le instale un tomacorriente adecuado. No utilice ningún tipo de adaptador con este producto. Este dispositivo está diseñado para usar en un circuito nominal de 120 V y tiene un enchufe de toma a tierra que tiene el aspecto de la figura A. Asegúrese de que el dispositivo esté conectado a una toma de corriente que tenga la misma configuración que la clavija. No se debe usar un adaptador con este equipo.*

## CONECTAR EXCLUSIVAMENTE A UNA TOMA DE CORRIENTE CON PUESTA A TIERRA



- 1 Toma de corriente con puesta a tierra
- 2 Caja de toma de corriente con puesta a tierra
- 3 Clavija con puesta a tierra

## NORMAS Y PRÁCTICAS DE SEGURIDAD PARA EL FUNCIONAMIENTO

### Responsabilidades del propietario/usuario

El propietario y/o el usuario deben comprender bien las instrucciones de servicio y advertencias del fabricante antes de empezar a utilizar este limpiador de alta presión. Debe prestarse especial atención y tener muy claras las advertencias.

Si el operador no habla bien el español, el propietario/comprador debe responsabilizarse de leer y comentar las instrucciones y las advertencias en su lengua natal, y asegurarse de que entienda a la perfección su contenido.

El propietario y/o el usuario deben leer y guardar como referencia para el futuro las instrucciones del fabricante.

### Generalidades

Antes de poner en funcionamiento la unidad, ésta deberá encontrarse en la posición de servicio.

No arrancar ni poner en funcionamiento la unidad, cualquiera de sus funciones o complementos, en otro sitio que no sea la posición designada de operario.

Antes de dejar la posición del operario:

- A parar completamente el equipo;
- B si el equipo tiene que estar en una inclinación, bloquear las ruedas.

Mantenerse a una distancia segura del borde de rampas, plataformas y otras superficies de trabajo.

No realice modificaciones ni añadidos al equipo.

No bloquear el acceso a las salidas de emergencias de incendios, escaleras o equipo antiincendios.

## Conducción

Ceder el paso a peatones y vehículos de emergencias como ambulancias o camiones de bomberos.

Cruce vías de tren en ángulo siempre que sea posible. No aparcarse a menos de 1800 mm de la vía del tren.

Mantener una buena vista del camino por el que conduce y preste atención al tráfico, personal y seguridad.

Operar el equipo siempre a una velocidad que permita parar de manera segura.

No permita realizar escenas peligrosas ni jugar con el equipo.

Reducir la velocidad en suelos húmedos y resbaladizos.

Antes de conducir sobre un muelle o puente, asegúrese de que esté bien seguro.

Conducta con cuidado y lentamente por el muelle o puente, y no exceda nunca la capacidad indicada.

Al sortear curvas, reduzca la velocidad a un nivel seguro de acuerdo con el ambiente de funcionamiento. Sortear las curvas con cuidado.

## Cuidados del equipo realizados por el operario

Si el equipo necesita ser reparado o es inseguro, o favorece una situación insegura, se deberá informar del problema inmediatamente al encargado designado por el usuario, y no se pondrá en funcionamiento el equipo hasta que se recupere el estado de funcionamiento seguro.

Si el equipo se vuelve inseguro de cualquier modo durante su funcionamiento, se deberá informar del problema inmediatamente al encargado designado por el usuario, y no se pondrá en funcionamiento el equipo hasta que se recupere el estado de funcionamiento seguro.

No realizar reparaciones o ajustes a no ser que se autorizó específicamente.

## MANTENIMIENTO Y PRÁCTICAS DE RECONSTRUCCIÓN

El funcionamiento del equipo puede resultar peligroso si no realiza el mantenimiento o se llevan a cabo reparaciones, reconstrucciones o ajustes que no correspondan con los criterios de diseño del fabricante. Por lo tanto, se deben poner a disposición lugares de mantenimiento (en el mismo local o en otro lugar), personal cualificado, y procedimientos detallados.

El mantenimiento e inspección de la unidad se realizará de acuerdo con las siguientes prácticas:

A a un mantenimiento planificado, le seguirán lubricación e inspección del sistema: consulte las recomendaciones del fabricante.

B Sólo se permitirá operar un aparato para limpieza de suelos motorizado a personas formadas y autorizadas. Los operarios de aparatos de limpieza de suelos motorizados deberán estar cualificados y tener la capacidad visual, auditiva, física y mental para operar equipos de forma segura.

Evitar los riesgos de incendios y tener equipo de protección de incendios en el área de trabajo. No usar recipientes abiertos de fuel o líquidos inflamables de limpieza para las limpiar las piezas.

## NORMA DE SEGURIDAD CONTRA INCENDIOS

Cualquier unidad que no esté en un estado de funcionamiento seguro será retirada de servicio.

No se realizarán reparaciones en ubicaciones de clase I, clase II y clase III.

**Prevención de incendios.** Se mantendrá el equipo limpio y sin pelusas, exceso de aceite y grasa en la medida de lo posible.

Es preferible utilizar productos no combustibles para limpiar el equipo. No está permitido utilizar líquidos inflamables [aquellos que tengan puntos de inflamación de o superior a 37,8°C (100°F)]. Se deberá tomar precauciones ante la toxicidad, ventilación e incendios con el producto o disolvente usado.

**Visibilidad de la placa identificadora.**

Las denominaciones de tipo de equipo se indican en la placa identificadora y no se deben cubrir las marcas de tipo con pintura para que no se vea la información de identificación.

## Indicaciones generales



Antes del primer uso de su aparato, lea este manual original, actúe de acuerdo a sus indicaciones y guárdelo para un uso posterior o para otro propietario posterior.

Antes de utilizar por primera vez el aparato, lea y tenga en cuenta el presente manual de instrucciones y el folleto adjunto relativo a las indicaciones de seguridad para aparatos de limpieza con cepillos y aparatos pulverizadores, 5.956-251.0.

El aparato solo se puede operar en superficies que no superen la inclinación máxima permitida, véase el apartado "Datos técnicos".

**El aparato sólo se puede poner en funcionamiento cuando el capó y todas las tapas estén cerradas.**

**Sacar la Intelligent Key para una puesta inmediata fuera de servicio de todas las funciones (parada de emergencia)**

*El aparato solo se puede operar en superficies que no superen la inclinación máxima permitida, véase el apartado "Datos técnicos".*

**⚠ Advertencia**

*No utilizar el aparato en cuestas inclinadas.*

## Dispositivos de seguridad

La función de los dispositivos de seguridad es proteger al usuario y está prohibido ponerlos fuera de servicio y modificar o ignorar su funcionamiento.

**Interruptor de seguridad (B 40 C Bp)**

Si se suelta el interruptor de seguridad, se apaga el accionamiento de los cepillos.

**Pedal acelerador (B 40 W Bp)**

Si se suelta el pedal acelerador, se apaga el accionamiento de traslación y el de los cepillos.

## Símbolos del manual de instrucciones

**⚠ Peligro**

*Para un peligro inminente que acarrea lesiones de gravedad o la muerte.*

**⚠ Advertencia**

*Para una situación que puede ser peligrosa, que puede acarrear lesiones de gravedad o la muerte.*

**Precaución**

*Para una situación que puede ser peligrosa, que puede acarrear lesiones leves o daños materiales.*

## Protección del medio ambiente



Los materiales de embalaje son reciclables. Por favor, no tire el embalaje al cubo de basura; llévelo a un lugar de reciclaje.



Los aparatos viejos contienen materiales valiosos reciclables que debieran aprovecharse. Evite el contacto de baterías, aceites y materias semejantes con el medioambiente. Deshágase de los aparatos viejos recurriendo a sistemas de recogida apropiados.

## Garantía

En todos los países rigen las condiciones de garantía establecidas por nuestra empresa distribuidora. Las averías del accesorio serán subsanadas gratuitamente dentro del periodo de garantía, siempre que se deban a defectos de material o de fabricación. En un caso de garantía, le rogamos que se dirija con el comprobante de compra al distribuidor donde adquirió el aparato o al servicio al cliente autorizado más próximo a su domicilio.



## Función

La fregadora/aspiradora sirve para efectuar la limpieza en húmedo o el pulido de pisos llanos.

- El aparato se puede adaptar fácilmente a la tarea de limpieza que corresponda ajustando el caudal de agua y cantidad de detergente.
- El aparato tiene un depósito de agua fresca y otro de agua sucia (de 40l cada uno). Permite llevar a cabo una limpieza efectiva en aplicaciones largas.
- El ancho de trabajo depende del cabezal de limpieza seleccionado, en la B 40 entre 430mm y 550mm.
- **B 40 C Bp**  
Este modelo no tiene accionamiento de desplazamiento. La marcha se realiza empujando con la mano y se ayuda con la rotación de los cepillos. El accionamiento de cepillos se alimenta con dos baterías.
- **B 40 W Bp**  
Este modelo tiene accionamiento de desplazamiento. La velocidad de desplazamiento se puede preconfigurar con una rosca.
- El cargador viene integrado en todos los aparatos. Se configuran las baterías según la configuración (véase el capítulo "baterías recomendadas" al respecto).

### Nota

*En función de la tarea de limpieza de que se desee realizar, es posible dotar al aparato de distintos accesorios.*

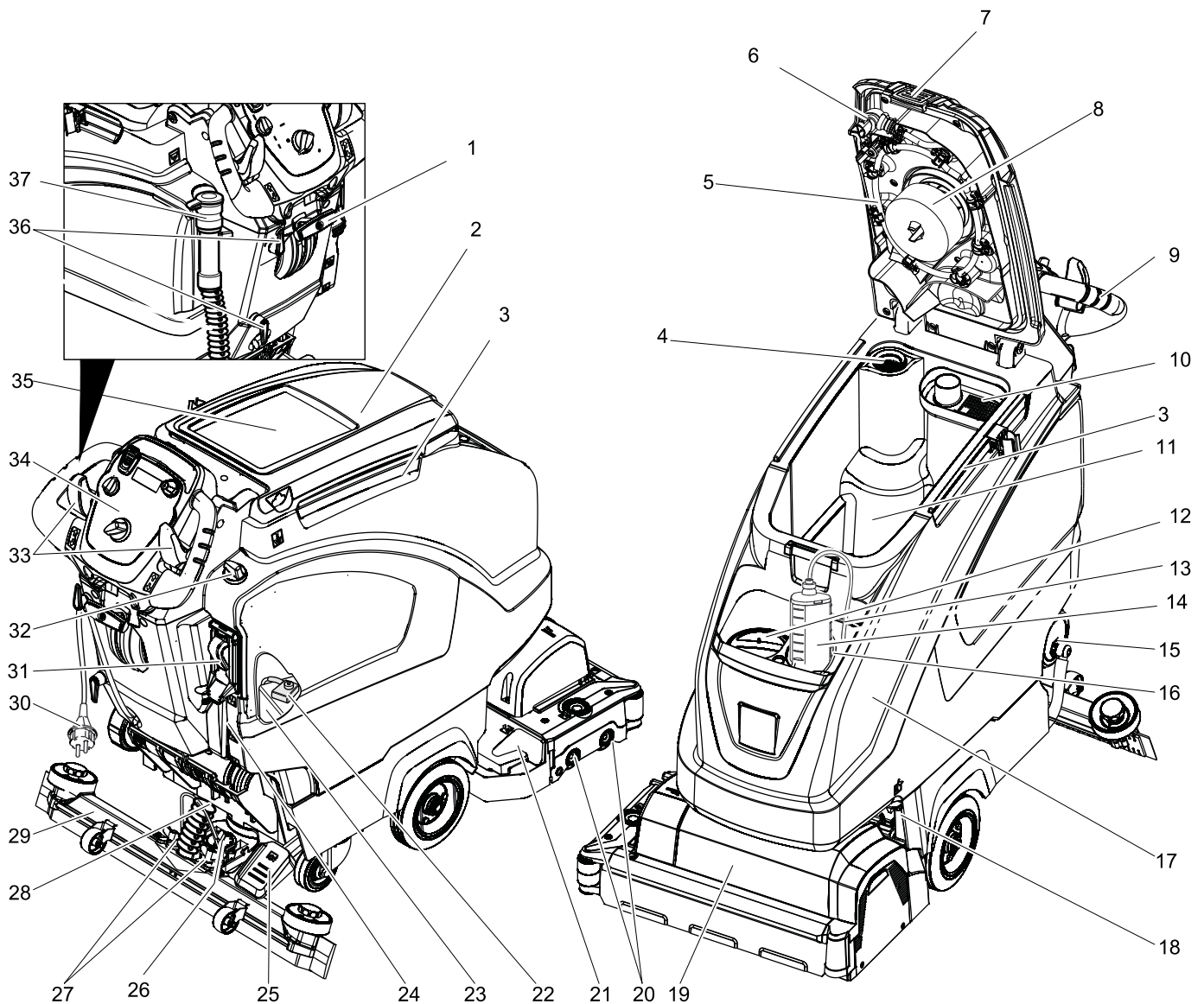
*Solicite nuestro catálogo o visítenos en la página de internet en:*

**[www.kaercher.com](http://www.kaercher.com)**

## Uso previsto

Utilice el aparato únicamente de conformidad con las indicaciones del presente manual de instrucciones.

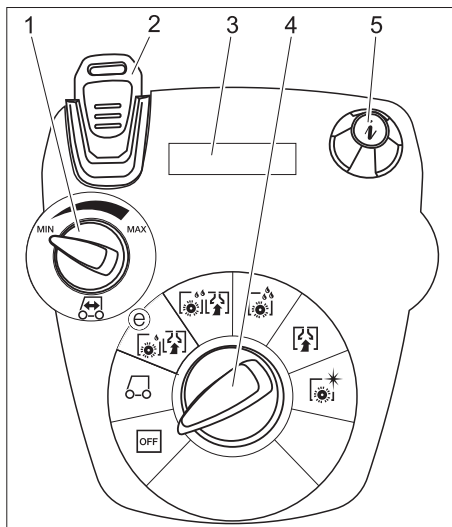
- El aparato ha sido concebido exclusivamente para la limpieza de suelos lisos resistentes a la humedad y al pulido.
- El aparato no es apto para la limpieza de pisos congelados (p. ej., en almacenes frigoríficos).
- Sólo está permitido dotar al aparato de accesorios y piezas de repuesto originales.
- El aparato no es apto para el uso en entornos con peligro de explosión.
- Con el aparato no se puede aspirar gases combustibles, ácidos no diluidos ni disolventes.  
Como gasolina, diluyentes cromáticos o fuel, que se pueden formar mezclas explosivas con el aire aspirado. Tampoco use acetona, ácidos ni disolventes sin diluir, ya que atacan a los materiales utilizados en el aparato.
- El aparato está autorizado para el funcionamiento sobre superficies con una inclinación máxima indicada en el apartado "Datos técnicos".



**Figura de la aspiradora-fregadora**

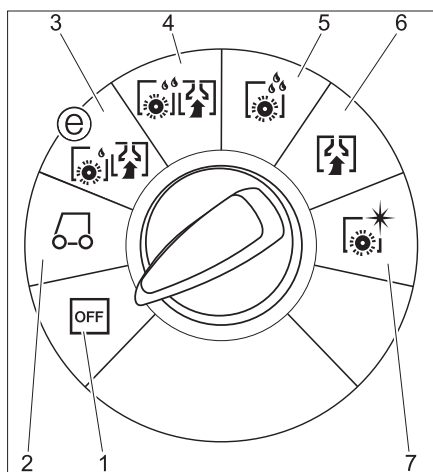
- |  |  |   |
|--|--|---|
| <p>1 Palanca de bajada de la barra de aspiración</p> <p>2 Tapa del depósito de agua sucia</p> <p>3 Barra de sujeción para la Homebase</p> <p>4 Filtro de pelusas</p> <p>5 Depósito de agua sucia del sistema de enjuague (opcional)</p> <p>6 Cierre flexible del sistema de enjuague (opcional)</p> <p>7 Cierre del depósito de agua sucia</p> <p>8 Flotador</p> <p>9 Estribo de empuje</p> <p>10 Filtro de partículas de suciedad gruesas</p> <p>11 Depósito de agua sucia</p> <p>12 Orificio de llenado del depósito de agua limpia</p> <p>13 Manguera de aspiración de detergente (solo el modelo DOSE)</p> <p>14 Botella de detergente (solo el modelo DOSE)</p> <p>15 Cierre del depósito de agua limpia con filtro</p> <p>16 Soporte de la botella de detergente</p> <p>17 Depósito de agua limpia</p> | <p>18 Bloqueo del depósito asegurado adicionalmente con chapa y tornillo</p> <p>19 Cabezal de limpieza (ilustración simbólica) *</p> <p>20 Cepillos cilíndricos (variante BR) Escobillas de disco (variante BD) *</p> <p>21 Depósito de partículas gruesas (sólo BR)</p> <p>22 Seguro de la polaridad de la batería</p> <p>23 Batería (sólo la variante Pack)</p> <p>24 Indicador de nivel de agua limpia</p> <p>25 Pedal para elevar/bajar el cabezal de limpieza</p> <p>26 Empuñadura giratoria para inclinar la barra de aspiración</p> <p>27 Tuercas de mariposa para fijar la barra de aspiración</p> <p>28 Manguera de aspiración</p> <p>29 Barra de aspiración *</p> <p>30 Cable de conexión para cargador (sólo modelo Pack)</p> <p>31 Sistema automático de llenado del depósito de agua limpia (opcional)</p> <p>32 Botón regulador del caudal de agua</p> | <p>33 Pedal acelerador (B 40 W Bp)</p> <p>34 Interruptor de seguridad (B 40 C Bp)</p> <p>35 Pupitre de mando</p> <p>36 Superficie de apoyo para el set de limpieza "Homebase Box"</p> <p>37 Gancho porta cables</p> <p>37 Manguera de salida de agua sucia con dispositivo de dosificación</p> <p>* no incluido en el volumen de suministro</p> <p><b>Identificación por colores</b></p> <ul style="list-style-type: none"> <li>- Los elementos de control para el proceso de limpieza son amarillos.</li> <li>- Los elementos de control para el mantenimiento y el servicio son de color gris claro.</li> </ul> |
|--|--|---|

## Pupitre de mando



- 1 Rosca velocidad de avance (solo B 40 W)
- 2 Intelligent Key amarillo- operador gris - trabajador previo
- 3 anuncio
- 4 Selector de programas
- 5 Botón de información

## Selector de programas



- 1 **OFF**  
El aparato está apagado.
- 2 **Modo de transporte**  
(solo B 40 W)  
Conducir hasta el lugar de empleo.
- 3 **Modo Eco**  
Limpiar el suelo (con velocidad de cepillos reducida) y aspirar el agua sucia (con potencia de aspiración reducida).
- 4 **Modo normal**  
Limpiar en húmedo del suelo y aspirar el agua sucia.
- 5 **Modo intensivo**  
Limpiar en húmedo del suelo y dejar actuar al detergente.
- 6 **Modo de aspiración**  
Aspire la suciedad.
- 7 **Modo de pulido**  
Pulir el suelo sin emplear líquidos.

## Antes de la puesta en marcha

### Montaje de los cepillos

#### Modelo BD

Antes de la puesta en servicio, se tienen que montar la escobilla de disco (véase "Trabajos de mantenimiento").

#### Modelo BR

Los cepillos están montados.

### Montar las baterías

Montar las baterías (véase "Cuidados y mantenimiento / Colocar y conectar baterías").

#### Configurar la línea de carga

Antes de la primera puesta en marcha, tras un reset de mantenimiento o en un cambio a otro tipo de batería, es imprescindible configurar la línea de carga.

- ➔ Utilizar una Intelligent Key gris.
- ➔ Configurar la línea de carga (véase el capítulo "Configurar Intelligent Key gris/línea de carga").

#### Uso de baterías de otros fabricantes

Recomendamos usar nuestras baterías, tal y como se indica en el capítulo "Cuidados y mantenimiento/baterías recomendadas".

#### Nota

Si se usan otras baterías (p. ej. de otros fabricantes), el servicio técnico autorizado tiene que ajustar de nuevo la protección de descarga total para la batería en cuestión.

### Carga de batería

#### Nota

El aparato dispone de una protección contra descarga total, es decir, si se alcanza la medida máxima permitida de capacidad, se apaga el motor de los cepillos y la turbina.

- ➔ Conducir el aparato directamente a la estación de carga, evitar subidas.

#### ⚠ Peligro

Peligro de lesiones por descarga eléctrica. Respetar la tensión de red y los seguros de la placa de características del aparato. ¡Utilice el cargador únicamente en cuartos secos dotados de suficiente ventilación!

#### Proceso de carga

El tiempo de carga dura aproximadamente 10-15 horas.

El cargador integrado está regulado electrónicamente y es apto para todas las baterías, finaliza el proceso de carga automáticamente.

La batería integrada se indica en la pantalla al cargar, si no es así, se tiene que seleccionar la línea de carga (véase "Configurar la línea de carga").

El aparato no se puede utilizar durante el proceso de carga.

#### Indicación para la primera carga

En la primera carga, el control no detecta el tipo de batería que viene integrada. Cargar las baterías hasta que la pantalla indique carga completa.

#### ⚠ Peligro

Peligro de explosiones

Antes de **cargar baterías que no precisen mantenimiento**, se tiene que girar hacia arriba el depósito (véase el capítulo "Colocar y conectar la batería"). De este modo se evita que se generen gases peligrosos debajo del depósito durante el proceso de carga.

Mientras esté el depósito de agua abatido hacia arriba, no está permitido realizar ningún tipo de limpieza con agua.

Al **cargar baterías que no precisen mantenimiento** no se abate hacia arriba el depósito de agua.

- ➔ Enchufar el cable de conexión a una toma de corriente. Comienza el proceso de carga.

**Indicación:** La batería seleccionada se indica al cargar.

- ➔ Cargar hasta que aparezca en la pantalla carga completa.

#### Baterías que no requieren apenas mantenimiento (baterías húmedas)

#### ⚠ Advertencia

¡Peligro de causticación!

- Rellenar con agua cuando la batería está descargada puede provocar una salida de ácido.
- Cuando trate con ácido de baterías, lleve siempre unas gafas de seguridad y respetar las normas, para evitar lesiones y daños a la ropa.
- Lavar inmediatamente con mucha agua las posibles salpicaduras de ácido sobre la piel o la ropa.

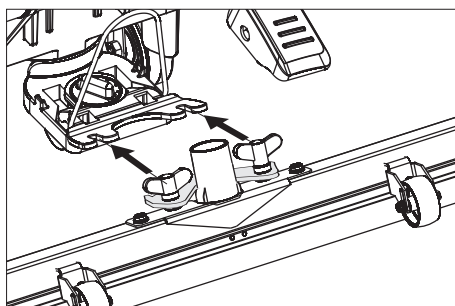
#### Precaución

¡Peligro de daños en la instalación!

- Utilizar únicamente agua destilada o desalada (EN 50272-T3) para rellenar las baterías.
- No utilizar más sustancias (los llamados agentes de mejora), de lo contrario desaparecerá la garantía.
- Sustituir las baterías por otras del mismo tipo. De lo contrario, el servicio técnico tendrá que ajustar la línea característica de carga.

## Montaje de la barra de aspiración

- Coloque la barra de aspiración en su soporte de modo que la chapa perfilada quede por encima del soporte.
- Apriete las tuercas de mariposa.



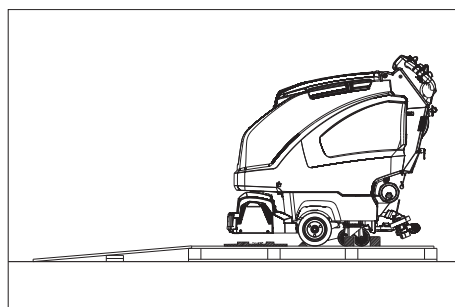
- Coloque la manguera de aspiración.

## Descarga

### ⚠ Peligro

*Peligro de lesiones. Sacar la Intelligent Key para una puesta inmediata fuera de servicio de todas las funciones.*

- Sustituir las baterías y conectar (véase "Antes de la puesta en servicio").
- Coloque las tablas largas laterales del embalaje como rampa en el palet.



- Fije la rampa al palet con clavos.
- Coloque las tablas cortas debajo de la rampa a modo de soporte.
- Retire los listones de madera de delante de las ruedas.
- Elevar el cabezal de limpieza, para eso presionar hacia abajo el pedal. Quitar el embalaje del cabezal de limpieza R.

### B 40 C Bp

- Baje el aparato del palet por la rampa.

### B 40 W Bp

- Meter la Intelligent Key.
- Girar el selector de programas al modo de transporte.
- Pulsar el pedal de marcha y bajar lentamente el aparato de la rampa.
- Quitar la Intelligent Key.

## Funcionamiento

### ⚠ Peligro

*Peligro de lesiones: Pisar el pedal para bajar/elevar el cabezal de limpieza siempre con un solo pie. El otro pie tiene que mantenerse en una posición estable y segura en el suelo.*

*En caso de peligro, soltar el interruptor de seguridad/pedal de marcha.*

## Desplazamiento con ayuda del motor (solo B 40 W Bp)

### Precaución

*Peligro de daños en la instalación: Para la marcha atrás se debe elevar la barra de aspiración.*

### Nota

*El aparato se debe montar de forma que el cabezal del cepillo sobresalga por la derecha. Esto permite trabajar de forma clara y junto al borde.*

- Meter la Intelligent Key.
- Seleccionar previamente la velocidad con la rosca de velocidad de desplazamiento.
- Ajuste el selector de programas en modo de transporte.
- Conducción del aparato. Hacia delante:  
Pulsar la palanca de maniobra hacia delante.  
Hacia atrás:  
Pulsar la palanca de maniobra hacia atrás.

### Nota

*El aparato se empieza a mover cuando la palanca de maniobra se ha movido 15°.*

- Detenga el aparato: Soltar la palanca de maniobra.

## Adición de combustibles

### Agua limpia

- Abrir el cierre del depósito de agua limpia.
- Llenar con agua limpia (máximo 122 °F / 50 °C) hasta el borde inferior de la boca de llenado.
- Cerrar el cierre del depósito de agua limpia.

### Con sistema automático de llenado del depósito de agua limpia (opcional)

- Conectar la manguera con el sistema automático de llenado y abrir la toma de agua (máximo 122 °F / 50 °C, máx. 72.5 psi / 5 bars).
- Monitorizar el aparato, el sistema automático de llenado interrumpe la alimentación de agua cuando el depósito está lleno.
- Cerrar la toma de agua y separar la manguera del aparato.

### Detergente

#### ⚠ Advertencia

*Peligro de daños en la instalación. Utilice únicamente el detergente recomendado. En caso de usar otros detergentes, el propietario-usuario asume unos mayores riesgos en lo que a la seguridad durante el funcionamiento y al peligro de sufrir accidentes se refiere.*

*Utilice únicamente detergentes que no contengan disolventes, ácidos clorhídricos ni ácidos hidrofúricos. Tener en cuenta las indicaciones de seguridad de los detergentes.*

### Nota

*No utilice detergentes altamente espumosos.*

### Detergente recomendado:

Empleo	Detergente
Limpeza de mantenimiento de todos los suelos resistentes al agua	RM 746 RM 780
Limpeza de mantenimiento de superficies brillantes (p. ej., granito)	RM 755 es
Limpeza de mantenimiento y limpieza a fondo de suelos industriales	RM 69 ASF
Limpeza de mantenimiento y limpieza a fondo de suelos industriales	RM 753
Limpeza de mantenimiento de azulejos en el ámbito sanitario	RM 751
Limpeza y desinfección en el ámbito sanitario	RM 732
Decapado de todos los suelos resistentes a los álcalis (p.ej., PVC)	RM 752
Decapado de suelos de sintasol	RM 754

### Modelo con dispositivo de dosificación DOSE (opcional)

Un dispositivo dosificador añadirá detergente al agua fresca el tramo al cabezal de limpieza.

### Nota

*El dosificador permite introducir como máximo una dosis de detergente del 3%. Para una dosis mayor, el detergente se tiene que echar en el depósito de agua limpia.*

- Poner la botella con detergente en el soporte.
- Desenroscar la tapa del frasco.
- Introducir el tubo de absorción del dispositivo dosificador en el frasco.

### Nota

*Si el depósito de agua limpia está vacío se interrumpe la dosificación de detergente. El cabezal de limpieza no sigue funcionando sin líquido.*

### Modelo sin dispositivo de dosificación

- Introducir el detergente en el depósito de agua limpia.

## Ajuste del caudal de agua

- Ajustar el caudal de agua con el botón regulador de acuerdo con la suciedad del pavimento del suelo.

### Nota

*Llevar a cabo los primeros intentos con menos caudal de agua. Aumentar el caudal de agua poco a poco, hasta alcanzar el resultado de limpieza deseado.*

*La bomba de detergente del dispositivo de dosificación empieza a trabajar a partir de una cantidad mínima de agua.*

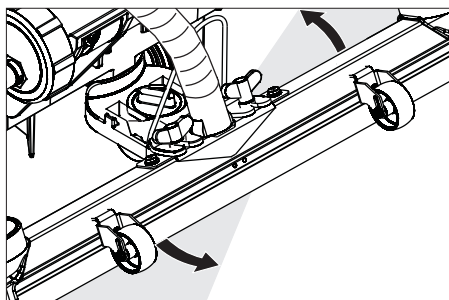


## Ajuste de la barra de aspiración

### Posición en diagonal

Para mejorar el resultado de la aspiración en pavimentos alicatados, se puede girar la barra de aspiración hasta una posición en diagonal de 5°.

- Soltar los tornillos de mariposa.
- Gire la barra de aspiración.



- Apretar los tornillos de mariposa.

### Inclinación

Si el resultado de la aspiración no resulta satisfactorio, se puede modificar la inclinación de la barra de aspiración recta.

- Ajustar la empuñadura giratoria para inclinar la barra de aspiración.

## Ajustar parámetros

### Con la Intelligent Key amarilla

El aparato viene previamente configurado con los parámetros para los diferentes programas de limpieza.

Dependiendo de la autorización de la Intelligent Key amarilla, se puede modificar los parámetros individualmente.

Si hay que modificar permanentemente los parámetros, se tiene que utilizar la Intelligent Key gris. La configuración viene descrita en el apartado "Intelligent Key gris".

#### Nota:

Casi todos los textos de pantalla para configurar los parámetros son auto explicativos. La única excepción es el parámetro FACT:

- Fine Clean: Menor número de rotaciones de cepillos para eliminar velos gris sobre gres fino.
  - Whisper Clean: número de rotaciones medio para limpieza de mantenimiento con un nivel acústico reducido.
  - Power Clean: número de rotaciones de cepillo mayor para pulir, cristalizar y barrer.
- Gire el selector de programas hasta el programa de limpieza deseado.
  - girar el botón de información hasta que aparezcan los parámetros deseados.
  - Pulse el botón de información: el valor ajustado parpadea.
  - Ajustar el valor deseado girando el botón de información.
  - Confirmar la configuración pulsando el botón de información o esperar hasta que se acepte el valor automáticamente tras 10 segundos.

## Limpieza

### Precaución

*Peligro de daños para el revestimiento del suelo. No utilice el aparato en esa zona.*

- Gire el selector de programas hasta el programa de limpieza deseado.

### Bajar el cabezal de limpieza

- Pisar el pedal ligeramente hacia abajo para bajar el cabezal de limpieza y mover hacia la izquierda. Así se desbloquea el pedal. Dejar que el pedal suba poco a poco. El cabezal de limpieza baja.

### Nota

*En caso de parada de la máquina y sobrecarga el motor de los cepillos se detiene.*

### Baje la barra de aspiración

- Extraer la palanca y presionar hacia abajo; se baja la barra de aspiración.

### Nota

*Para limpiar pavimentos alicatados ajustar la barra de aspiración recta para que no se limpie en ángulo recto a las juntas.*

*Para obtener mejores resultados de aspiración se puede ajustar la posición diagonal y la inclinación de la barra de aspiración (véase "Ajustar barra de aspiración").*

*Si el recipiente de suciedad está lleno, un flotador cierra el orificio de aspiración y la turbina de aspiración gira con un mayor número de revoluciones. En este caso, desconectar la aspiración y desplazarse para vaciar el depósito de agua sucia.*

## Detención y apagado

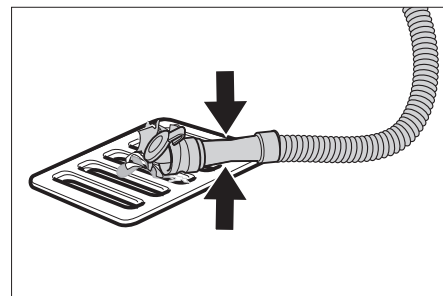
- Cerrar el botón de regulación para ajustar el caudal de agua.
- Soltar el pedal de marcha/interruptor de seguridad.
- Coloque el selector de programas en posición de absorber.
- Elevar el cabezal limpiador.
- Avanzar brevemente hacia delante y aspirar el caudal de agua restante.
- Levante la barra de aspiración. La turbina de absorción funciona otros 10 segundos para absorber los restos de agua de la barra y tubo de aspiración.
- Quitar la Intelligent Key.
- Cargar la batería si es necesario.

## Purgue el agua sucia

### ⚠ Advertencia

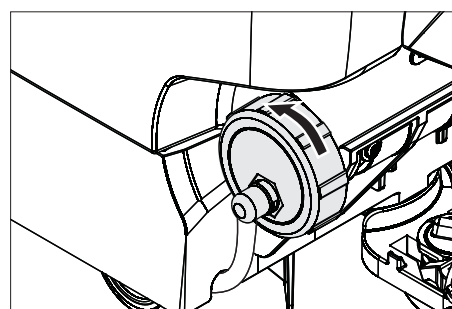
*Respete la normativa local vigente en materia de tratamiento de aguas residuales.*

- Retire del soporte la manguera de salida y bájela mediante un mecanismo recogedor adecuado.



- Presionar o doblar el dispositivo de dosificación.
- Abra la tapa del dispositivo de dosificación.
- Purgar el agua sucia, regular el caudal de agua mediante presión o doblez.
- Enjuagar el depósito de agua sucia con agua limpia o limpiar con el sistema de enjuague del depósito de agua sucia (opcional).

## Purgar el agua limpia



- Para un vaciado rápido, quitar la tapa del todo.
- Para realizar el enjuague, quitar la tapa del depósito de agua limpia y extraer el filtro de agua limpia.

## Intelligent Key gris

- Meter la Intelligent Key.
- Seleccionar la función deseada, para ello girar el botón de información.

Las funciones vienen descritas a continuación.

## Menú de llaves >>

En este punto se activan las autorizaciones para las Intelligent Keys amarilla.

- Durante la indicación "Menú de llaves >>" pulsar el botón de información.
- Quitar la Intelligent Key gris e insertar la Intelligent Key amarilla a programar.
- Girar el botón de información para seleccionar el punto de menú a modificar.
- Pulsar el botón de información.
- Girar el botón de información para seleccionar la configuración del punto del menú.
- Pulsar el punto del menú para confirmar la configuración.
- A continuación, girar el botón de información para seleccionar el punto de menú a modificar.
- Para guardar las autorizaciones, girar el botón de información y pulsarlo para acceder al menú "Guardar las configuraciones".
- Para salir, girar el botón de información y pulsarlo en "Salir del menú".

## Cleaning App >>

Los parámetros ajustados con la Intelligent Key gris se mantienen hasta que se seleccione otra configuración.

- Gire el selector de programas hasta el programa de limpieza deseado.
- Girar el botón de información hasta que aparezca "Cleaning App >>".
- Pulsar el botón de información, aparece el primer parámetro a ajustar.
- Pulse el botón de información: el valor ajustado parpadea.
- Ajustar el valor deseado girando el botón de información.
- Confirmar la configuración pulsando el botón de información o esperar hasta que se acepte el valor automáticamente tras 10 segundos.
- Seleccionar el siguiente parámetro girando el botón de información.
- Tras modificar todos los parámetros deseados, girar el botón de información hasta que aparezca "Salir del menú".
- Pulsar el botón de información, se sale del menú.

## Ajuste del idioma

- Pulse el botón de información: el valor ajustado parpadea.
- Ajustar el idioma deseado girando el botón de información.
- Confirmar la configuración pulsando el botón de información o esperar hasta que se acepte el valor automáticamente tras 10 segundos.

## Marcha en inercia del cepillo

Ajustar el tiempo de marcha en inercia de los cepillos.

- Configuración como "Ajustar idioma".

## Configurar la línea de carga

- Girar el botón de información hasta que aparezca el Menú de la batería.
- Pulsar el botón de información; seleccionar la línea de carga conforme a las baterías montadas.

**Indicación:** La configuración de la línea de carga solo se debe realizar tras consultar al servicio técnico de Kärcher. Especialmente cuando la batería no viene en el menú.

- Confirmar la configuración pulsando el botón de información o esperar hasta que se acepte el valor automáticamente tras 10 segundos.

## LOAD DEFAULT

Restablecer la configuración básica.

## Transporte

### ⚠ Peligro

*¡Peligro de lesiones! El aparato solo se puede operar para cargar y descargar en inclinaciones con un valor máximo (véase "Datos técnicos"). Conducir lentamente.*

### Precaución

*¡Peligro de lesiones y daños! Respetar el peso del aparato para el transporte.*

- Elevar el cabezal limpiador, para evitar dañar los cepillos.
- Extraiga el cepillo para evitar que sufra daños.
- Al transportar en vehículos, asegurar el aparato para evitar que resbale y vuelque conforme a las directrices vigentes.

## Almacenamiento

### Precaución

*¡Peligro de lesiones y daños! Respetar el peso del aparato en el almacenamiento.*

Este aparato sólo se puede almacenar en interiores.

## Cuidados y mantenimiento

### ⚠ Peligro

*¡Peligro de lesiones! Antes de realizar trabajos, quitar la Intelligent Key del aparato y desenchufar el cargador.*

- Purgue el agua sucia y el agua limpia sobrante y elimínela.

## Plan de mantenimiento

### Intervalos de mantenimiento

Los trabajos de limpieza recomendados se indican en la pantalla conforme a unos intervalos de limpieza determinados.

- Aparece la indicación correspondiente, llevar a cabo trabajo de mantenimiento.
- Pulsar el botón de información, se restablece la indicación. Tras los períodos de tiempo previamente indicados aparece la indicación de nuevo.

Indicación en pantalla	Indicar todos
Limpieza de la barra de aspiración	20 horas
Limpieza del filtro de pelusas	20 horas
Limpieza del filtro de agua	50 horas
Comprobar los racores de aspiración	100 horas
Comprobar los cepillos	100 horas
Reset de mantenimiento	200 horas

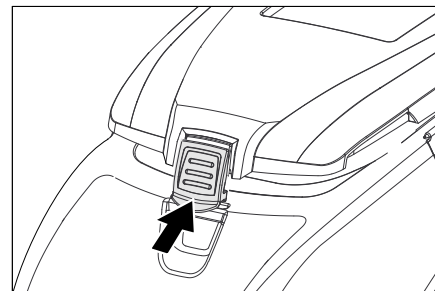
**Indicación:** Un reset de mantenimiento restablece todos los intervalos de mantenimiento.

### Después de cada puesta en marcha

#### Precaución

*Peligro de daños. No salpique al aparato con agua ni utilice detergentes agresivos.*

- Purgue el agua sucia.
- Enjuagar el depósito de agua sucia con agua limpia o limpiar con el sistema de enjuague del depósito de agua sucia (opcional).
- Extraer y limpiar el filtro de partículas de suciedad gruesas del depósito de agua sucia.
- Limpie el aparato por fuera con un trapo húmedo ligeramente empapado en una solución jabonosa suave.
- Compruebe el filtro de pelusas; en caso necesario, límpielo.
- Sólo la variante aparato de limpieza de suelos. Extraer el depósito de partículas gruesas de suciedad y vaciar.
- Limpie los labios de aspiración y los labios de secado; compruebe si presentan desgaste y, en caso necesario, cámbielos.
- Compruebe si los cepillos presentan desgaste y, en caso necesario, cámbielos.
- Presionar hacia dentro el cierre del depósito de agua sucia y cerrar la tapa del depósito de agua sucia de modo que quede una ranura abierta para secar.



- Cargar la batería:  
Cargar la batería por completo y sin interrupción cuando el estado de carga sea inferior al 50 %.  
Si el estado de carga es superior al 50 %, recargar la batería solo si se necesita un tiempo de funcionamiento completo durante la próxima utilización.

### Todas las semanas

- Con una utilización regular, cargar la batería por completo y sin interrupción una vez por semana como mínimo.

### Mensualmente

- Comprobar la oxidación de los polos de la batería, cepillar si es necesario. Cerciorarse del asiento firme y correcto del cable de conexión.
- Limpie las juntas situadas entre el depósito de agua sucia y la tapa; compruebe su estanqueidad y, en caso necesario, cámbielas.
- En el caso de baterías que requieran mantenimiento, comprobar la estanqueidad al ácido de los elementos.
- Limpiar el canal de los cepillos (sólo la variante aparato de limpieza de suelos).
- Durante largos tiempos de inactividad, desconectar el equipo solo con la batería completamente cargada. Volver a cargar la batería por completo una vez al mes como mínimo.

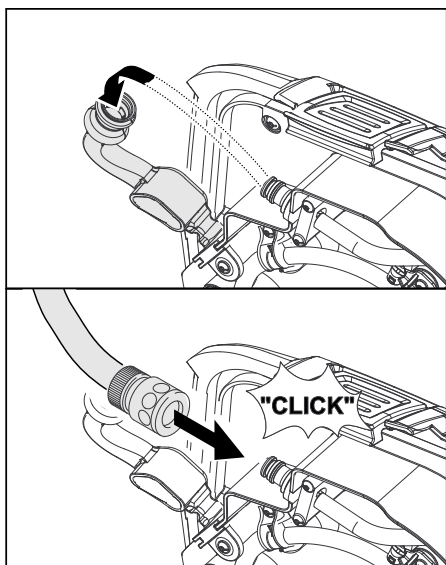
## Anualmente

- Encargue al servicio técnico la revisión anual obligatoria.

## Trabajos de mantenimiento

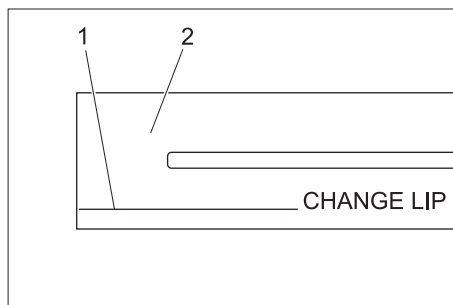
### Depósito de agua sucia del sistema de enjuague (opcional)

- Purgar el agua sucia, véase el apartado "Purgar el agua sucia".
- Abrir la tapa del depósito de agua sucia.
- Quitar el cierre flexible del sistema de enjuague.
- Conectar la manguera de agua con el sistema de enjuague.



- Cerrar la tapa del depósito de agua sucia, hasta que quede sobre el cierre flexible.
- Abrir la entrada de agua y enjuagar el depósito de agua sucia aprox. 30 segundos. Repetir el proceso de enjuague 2 o 3 veces si es necesario.
- Cerrar la toma de agua y separar la manguera del aparato.
- Insertar el cierre flexible de nuevo en la toma. Dejar la tapa del depósito de agua sucia un poco abierta para que seque.

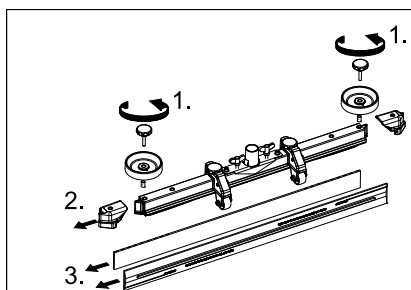
### Cambiar o girar los labios de aspiración



- 1 Marca de desgaste
- 2 Labio de aspiración

Los racores de aspiración se tienen que cambiar o dar la vuelta hasta que estén desgastados hasta la marca de desgaste.

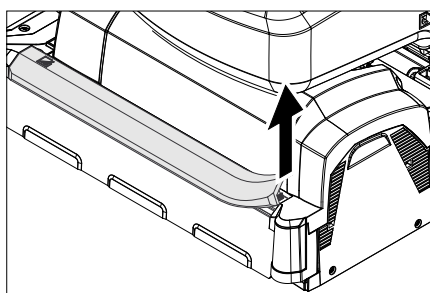
- Retire la barra de aspiración.
- Desatornille los mangos en estrella.



- Retire las piezas de plástico.
- Retire los labios de aspiración.
- Introducir los racores de aspiración nuevos o dados la vuelta.
- Coloque las piezas de plástico.
- Atornille y apriete los mangos en estrella.

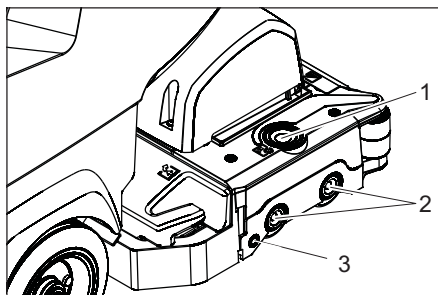
### Limpiar el canalón distribuidor de agua

- Quitar la tira de goma y limpiar el canalón con un paño. Tras la limpieza, presionar de nuevo la tira de goma de forma uniforme.



### Recambio del cepillo cilíndrico

- Elevar el cabezal limpiador.

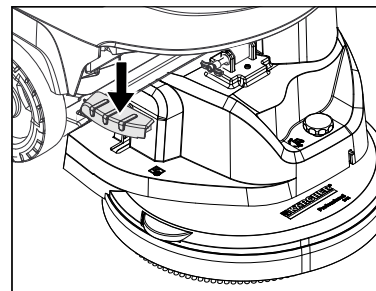


- 1 Botón de desbloqueo de la tapa del alojamiento
- 2 Cepillo
- 3 Pulsador

- Pulsar la tecla de desbloqueo de la tapa del alojamiento.
- Girar hacia atrás la tapa del alojamiento.
- Extraer cepillos cilíndricos.
- **Indicación:** Cambiar los cepillos rotativos cuando las cerdas lleguen a 10mm.
- Instalar los nuevos cepillos rotativos.
- Girar hacia atrás la tapa del alojamiento y pulsar el botón.

### Cambiar el cepillo de disco

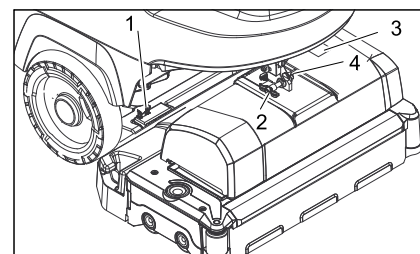
- Elevar el cabezal limpiador.
- Pisar hacia abajo el pedal de cambio de cepillos más allá del punto de resistencia.



- Sacar el cepillo de disco lateralmente de debajo del cabezal de limpieza.
- Mantener el nuevo cepillo de disco bajo el cabezal de limpieza, apretar hacia arriba y encajar.

### Montar el cabezal de limpieza

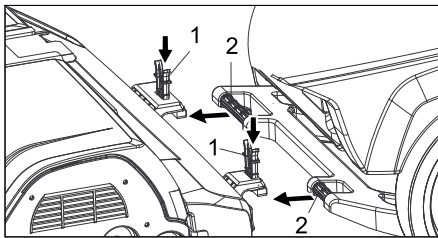
- Desplazar el aparato aprox. 2 m hacia delante para que las ruedas de dirección miren hacia atrás.
- Pisar el pedal ligeramente hacia abajo para bajar el cabezal de limpieza y mover hacia la izquierda. Así se desbloquea el pedal. Dejar que el pedal suba poco a poco. El brazo elevador del cabezal de limpieza va hacia abajo.
- Vacíe el depósito de agua limpia y el depósito de agua sucia.
- Aflojar el bloqueo del depósito y haga que éste bascule hacia arriba.



- 1 Elemento de resorte
- 2 Pasador de seguridad
- 3 Cubierta del armario de bornes
- 4 Muesca para el pasador de seguridad

- Colocar el cabezal de limpieza en el centro delante del aparato.
- Extraer la cubierta del pasador de seguridad.
- Conectar el cable de corriente del cabezal de limpieza con el aparato.
- Colocar la cubierta del pasador de seguridad.
- Unir el acoplamiento del cabezal de limpieza con la manguera del aparato





- 1 Elemento de resorte
- 2 Estribo de empuje

- ➔ Desplazar el estribo de empuje en el alojamiento del cabezal de limpieza.
- ➔ Desplazar hacia abajo los elementos de resorte y encajar.
- ➔ Orientar el brazo elevador del cabezal de limpieza al alojamiento de la parte superior del cabezal de limpieza.
- ➔ Insertar y encajar el pasador de seguridad.
- ➔ **Ajustar el cabezal de limpieza:** ajustar con el tornillo de ajuste a la posición deseada.
- ➔ Girar totalmente hacia abajo el depósito de agua, comprobar el bloqueo.

### Desmontar el cabezal de limpieza

El desmontaje requiere el orden contrario al indicado para el montaje.

### Precaución

Mientras se desmonta el cabezal de limpieza, la máquina puede estar poco estable, procurar mantener una posición segura. Poner un soporte en la parte trasera y asegurar para evitar que vuelque.

### Baterías

Al manipular baterías, tenga siempre en cuenta las siguientes advertencias:

	Tenga en cuenta las indicaciones presentes en la batería, en las instrucciones de uso y en el manual del vehículo.
	Use protección para los ojos
	Mantenga a los niños alejados del ácido y las baterías
	Peligro de explosiones
	Prohibido hacer fuego, producir chispas, aplicar una llama directa y fumar
	Peligro de causticación
	Primeros auxilios
	Nota de advertencia

	Eliminación de desechos
	No tire la batería al cubo de la basura

### ⚠ Peligro

**Peligro de explosiones.** No coloque herramientas u otros objetos similares sobre la batería, es decir, sobre los terminales y el conector de elementos.  
**Peligro de lesiones.** No deje nunca que el plomo entre en contacto con las heridas. Luego de trabajar con las baterías, límpiese siempre las manos.

### Baterías recomendadas B 40

Nº referencia	Descripción	
6.654-141.0 <sup>1)</sup>	105 Ah, no precisa mantenimiento	12 V*
6.654-093.0 <sup>2)</sup>	70 Ah, no precisa mantenimiento	12 V*
6.654-097.0 <sup>3)</sup>	80 Ah, no precisa mantenimiento	12 V*

\* El aparato necesita 2 baterías

- <sup>1)</sup> Set completo (24 V/105 Ah) incl. cable de conexión, ref. 4.035-449.0
- <sup>2)</sup> Set completo (24 V/70 Ah) incl. cable de conexión, ref. 4.035-447.0
- <sup>3)</sup> Set completo (24 V/80 Ah) incl. cable de conexión, ref. 4.035-450.0

### Colocar la batería y cerrar

- ➔ Desplazar el aparato aprox. 2 m hacia delante para que las ruedas de dirección miren hacia atrás.
- ➔ Purgar el cabeza de limpieza.
- ➔ Vacíe el depósito de agua limpia y el depósito de agua sucia.
- ➔ Aflojar el bloqueo del depósito y haga que éste bascule hacia arriba.
- ➔ Colocar las baterías en la pila al ras del cabezal de limpieza, para asegurarlas, insertar las cuñas de sujeción suministradas en el suelo.

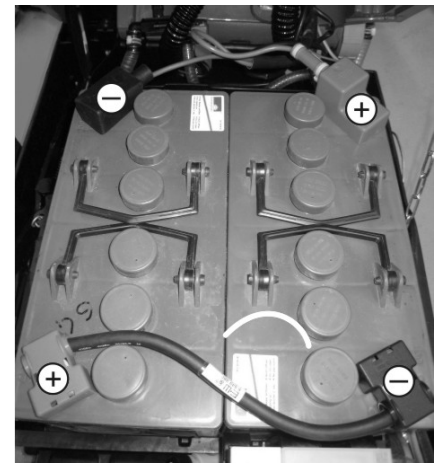
### Precaución

Mientras se desmontan y montan las baterías, la máquina puede estar poco estable, procurar mantener una posición segura.

- ➔ Enganchar el cable de conexión suministrado al polo de batería libre (+) y (-).
- ➔ Conectar los polos con el cable de conexión que viene incluido.

### ⚠ Advertencia

Asegúrese de colocar la polaridad correctamente.



Esquema de montaje para 2 baterías

- ➔ Girar totalmente hacia abajo el depósito de agua, comprobar el bloqueo.

### Nota

Cargar las baterías antes de poner el aparato en funcionamiento.

Para ello véase el apartado "Cargar baterías".

### Desmontar las baterías

### Precaución

Peligro de daños porque se bascule el aparato, desmontar las baterías solo si en el aparato está colocado un cabezal de limpieza.

- ➔ Quitar la Intelligent Key.
- ➔ Desplazar el aparato aprox. 2 m hacia delante para que las ruedas de dirección miren hacia atrás.
- ➔ Purgar el cabeza de limpieza.
- ➔ Aflojar el bloqueo del depósito y haga que éste bascule hacia arriba.
- ➔ Enganchar el cable del polo negativo de la batería.
- ➔ Desembornar el resto del cable de las baterías.
- ➔ Quitar las cuñas o las piezas de espuma.
- ➔ Extraer las baterías.

### Precaución

Mientras se desmontan y montan las baterías, la máquina puede estar poco estable, procurar mantener una posición segura.

- ➔ Eliminar las baterías usadas de acuerdo con las normativas vigentes.

### Contrato de mantenimiento

Para garantizar el funcionamiento seguro del aparato, es posible firmar contratos de mantenimiento con el departamento comercial correspondiente de Kärcher.

### Protección antiheladas

En caso de peligro de heladas:

- ➔ Vacíe el depósito de agua limpia y el depósito de agua sucia.
- ➔ Guarde el aparato en un lugar protegido de las heladas.

## Averías

### **⚠ Peligro**

*¡Peligro de lesiones! Antes de realizar trabajos, quitar la Intelligent Key del aparato y desenchufar el cargador.*

- ➔ Purgue el agua sucia y el agua limpia sobrante y elimínela.

### Averías con indicación en pantalla

Indicador de pantalla	Modo de subsanarla
ERR_I_BÜRSTE_049	Compruebe si hay cuerpos extraños bloqueando los cepillos y, de ser así, elimínelos.
ERR_I_TURB_050	Comprobar la turbina de aspiración, limpiar si es necesario.
ERR_U_BATT_001	Comprobar la batería, si es necesario recargar.

Si la pantalla indica otros mensajes de error o si la avería no se puede solucionar:

- ➔ Quitar la Intelligent Key.
- ➔ Esperar 10 segundos.
- ➔ Meter la Intelligent Key.
- ➔ Si sigue produciéndose el fallo, acuda al servicio técnico.

### Averías sin indicación en pantalla

Avería	Modo de subsanarla
No se puede poner en marcha el aparato	Modo de espera. Desconectar el aparato e insertar de nuevo la Intelligent Key. Ajustar el selector de programas al programa deseado.
	Comprobar la batería, si es necesario recargar.
	Comprobar si los polos de la batería están conectados.
Caudal de agua insuficiente	Compruebe el nivel de agua limpia y, de ser necesario, llene el depósito.
	Aumentar la cantidad de agua con el botón regulador del caudal de agua.
	Desatornillar el cierre del depósito de agua limpia. Extraer y limpiar el filtro de agua limpia. Colocar el filtro y atornillar el cierre.
	Sacar las tiras de distribución de agua y limpiar el canal de agua (sólo con cabezal de limpieza R).
Sin dosificación de detergente	Comprobar si los tubos están atascados, si es necesario limpiar.
	Aumentar la cantidad de agua para activar la bomba dosificadora.
Potencia de aspiración insuficiente	Comprobar el nivel de detergente
	Limpiar las juntas situadas entre el depósito de agua sucia y la tapa; compruebe su estanqueidad y, en caso necesario, cámbielas
	El depósito de agua sucia está lleno, parar el aparato y vaciar el depósito de agua sucia.
	Limpiar el filtro de pelusas.
	Limpiar los labios de aspiración de la barra de aspiración y, en caso necesario, cámbielos
	Comprobar si los tubos de aspiración están atascados, si es necesario limpiar.
	Compruebe si el tubo de aspiración está hermética y, en caso necesario, cámbielo.
Compruebe si está cerrada la tapa de la manguera de salida de agua sucia.	
Resultados de limpieza insuficientes	Compruebe el ajuste de la barra de aspiración.
	Compruebe si los cepillos presentan desgaste y, en caso necesario, cámbielos.
Los cepillos no giran	Compruebe si hay cuerpos extraños bloqueando los cepillos y, de ser así, elimínelos.
	Si se activa el interruptor de sobrecorriente en el sistema electrónico, girar el selector de programas a "OFF", a continuación ajustar de nuevo al programa deseado.
Vibraciones durante la limpieza	Utilizar otros cepillos más blandos si es necesario.

**Cuando las averías no se puedan solucionar con ayuda de la tabla que aparece a continuación, acuda al servicio técnico.**



## Accesorio B 40

### Aparatos BR B 40 (cepillos rotativos como accesorio)

denominación	No. de pieza Anchura de trabajo 450 mm	No. de pieza Anchura de trabajo 550 mm	Descripción	Unidad de embalaje	Aparato necesario
Cepillo rotativo, rojo (medio, estándar)	4.762-392.0	4.762-393.0	También para limpieza de mantenimiento de suelos muy sucios.	1	2
Cepillo rotativo, blanco (suave)	4.762-405.0	4.762-409.0	Para pulido y limpieza de mantenimiento de pavimentos delicados.	1	2
Cepillo rotativo, naranja (alto/profundo)	4.762-406.0	4.762-410.0	Para frotar pavimentos con estructura (alicatado de seguridad etc.)	1	2
Cepillo rotativo, verde (Grit)	4.762-407.0	4.762-411.0	Para limpiezas a fondo de pavimentos muy sucios y para decapar (como ceras, acrilatos).	1	2
Cepillo rotativo, gris (Grit 1 mm)	4.762-408.0	4.762-412.0		1	2
Eje de cilindro pad	4.762-413.0	4.762-415.0	Para alojamiento del pad del cilindro.	1	2
Pad del cilindro, blanco (muy suave)	6.367-108.0	6.369-735.0	Para limpiar y pulir pavimentos delicados.	1	2
Pad del cilindro, amarillo (suave)	6.367-105.0	6.369-732.0	Para pulir pavimentos.	1	2
Pad del cilindro, rojo (medio)	6.367-107.0	6.369-734.0	Para limpiar pavimentos ligeramente sucios.	1	2
Pad del cilindro, verde (duro)	6.367-106.0	6.369-733.0	Para limpiar pavimentos de suciedad normal hasta grande.	1	2

### Aparatos BD B 40 (escobillas de disco como accesorio)

denominación	No. de pieza Anchura de trabajo 430 mm	No. de pieza Anchura de trabajo 510 mm	Descripción	Unidad de embalaje	Aparato necesario
Escobilla de disco, natural (suave)	4.905-023.0	4.905-027.0	Para pulir pavimentos.	1	1
Cepillo de disco, blanco	4.905-024.0	4.905-028.0	Para pulido y limpieza de mantenimiento de pavimentos delicados.	1	1
Escobilla de disco, rojo (medio, estándar)	4.905-022.0	4.905-026.0	Para limpiar pavimentos de poca suciedad o delicados.	1	1
Cepillo de disco, negro (duro)	4.905-025.0	4.905-029.0	Para limpiar pavimentos muy sucios.	1	1
Platillo motriz de pads	4.762-533.0	4.762-534.0	Para alojamiento del pad.	1	1

### Aparatos BR/BD B 40 (barra de aspiración como accesorio)

denominación	No. de pieza Anchura de tra- bajo 850 mm	Descripción	Unidad de embalaje	Aparato necesario
Borde de goma, azul	6.273-213.0	Estándar	pareja	1 pareja
Racor de goma, transparente, ranurado	6.273-207.0	resistente al aceite	pareja	1 pareja
Racor de goma, transparente	6.273-229.0	Anti-franjas	pareja	1 pareja
Racor de goma, transparente	6.273-290.0	Para suelos problemáticos	pareja	1 pareja
Barra de aspiración, recta	4.777-401.0	Estándar	1	1
Barra de aspiración, doblado	4.777-411.0	Estándar	1	1

## Datos técnicos

		Aparato BR B 40		Aparato BD B 40	
		R 45	R 55	D 43	D 51
<b>Potencia</b>					
Tensión nominal	V	24		24	
Capacidad de batería	Ah (5h)	70, 80; 105		70, 80; 105	
Consumo medio de potencia	W	1400		1400	
Potencia de motor de tracción (potencia nominal) (solo B 40 W)	W	130		130	
Potencia del motor de aspiración	W	500		500	
Potencia del motor de barrido	W	600		600	
<b>Aspirar</b>					
Capacidad de aspiración, cantidad de aire (máx.)	l/s	22		22	
	gpm	348		348	
Potencia de aspiración, depresión, (máx.)	kPa	12,0		11,5	
	psi	1.74		1.67	
<b>Cepillos de limpieza</b>					
Nº de rotaciones de los cepillos	1/min	600 - 1200		180	
<b>Medidas y pesos</b>					
Potencia teórica por metro cuadrado	m <sup>2</sup> /h	1800	2200	1800	2200
	sq.ft/h	19000	23700	19000	23700
Inclinación máx. del área de trabajo	%	2		2	
Volumen de los depósitos de agua limpia y agua sucia	l	40 / 40		40 / 40	
	gal	10.6 / 10.6		10.6 / 10.6	
máx. temperatura del agua	°C	50		50	
	° F	122		122	
Peso en vacío (peso de transporte)	kg	164 (con baterías 105 Ah)		164 (con baterías 105 Ah)	
	lb.	362 (con baterías 105 Ah)		362 (con baterías 105 Ah)	
Peso total (listo para el servicio)	kg	204 (con baterías 105 Ah)		204 (con baterías 105 Ah)	
	lb.	450 (con baterías 105 Ah)		450 (con baterías 105 Ah)	
Nivel de presión acústica L <sub>pA</sub>	dB(A)	68		68	
<b>Reservado el derecho a realizar modificaciones técnicas.</b>					

### Piezas de repuesto

- Sólo deben emplearse accesorios y piezas de repuesto originales o autorizados por el fabricante. Los accesorios y piezas de repuesto originales garantizan el funcionamiento seguro y sin averías del aparato.
- Podrá encontrar una selección de las piezas de repuesto usadas con más frecuencia al final de las instrucciones de uso.
- En el área de servicios de [www.kaercher.com](http://www.kaercher.com) encontrará más información sobre piezas de repuesto.







<http://www.kaercher.com/dealersearch>

